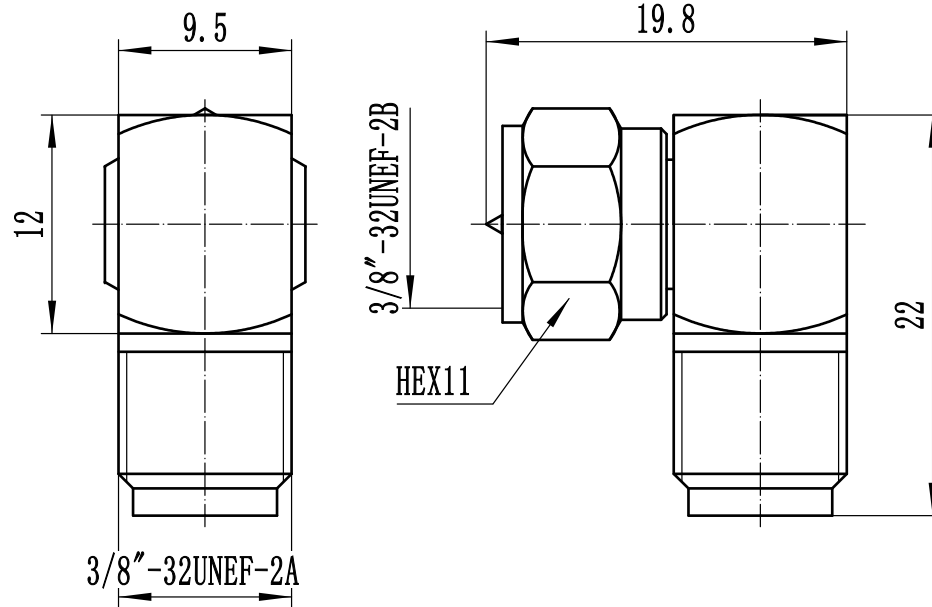


This document contains proprietary information and such information may not be disclosed to others for any purposes, not used for sales/marketing/procurement purposes without written permission

REV	DESCRIPTION OF REVISION	TRL NO.	BY	DATE	APPROVED
A	Initial Release	—	T. Shihua	17/02/2022	17/02/2022



1 Electrical



- 1.1 Impedance: 75 Ω
- 1.2 Frequency: DC~1GHz
- 1.3 VSWR: ≤1.30
- 1.4 Insulation resistance: ≥1000M Ω
- 1.5 Dielectric strength: 500V
- 1.6 Center contact ≤ 10.0M Ω
- 1.7 Outer contact ≤ 5.0M Ω

2 Materials&Finish

- 2.1 Inner Contact: Phosphor bronze, Nickel-plating
- 2.2 Outer Contact: Brass, Nickel-plating
- 2.3 Insulators: PTFE

Notes:

- 1. ALL SPECIFICATIONS ARE SUBJECT TO CHANGE NOTICE AT ANY TIME
- 2. CUSTOMER OUTLINE DRAWING FOR REFERENCE ONLY

DRAWN: T. Shihua 17/02/2022 ENGINEER: C. Tao 17/02/2022 APPROVED: W. Qiang 17/02/2022 TOLERANCES UNLESS OTHERWISE SPECIFIED X ±0.50 .X ±0.20 .XX ±0.10 ANGLES ±1°	TITLE RF Coaxial Connector F Male to F Female PART NO: F-JWK	 www.rf-connector-china.com  DIMENSION IN MILLIMETERS (mm) SIZE: A4 SCALE: 2.5:1 SHEET: 1/1 REV: VA
--	--	---