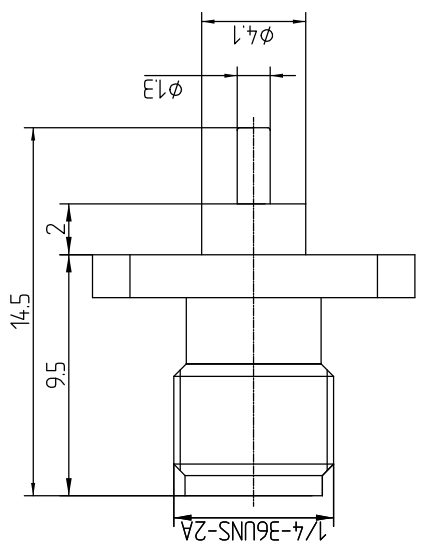
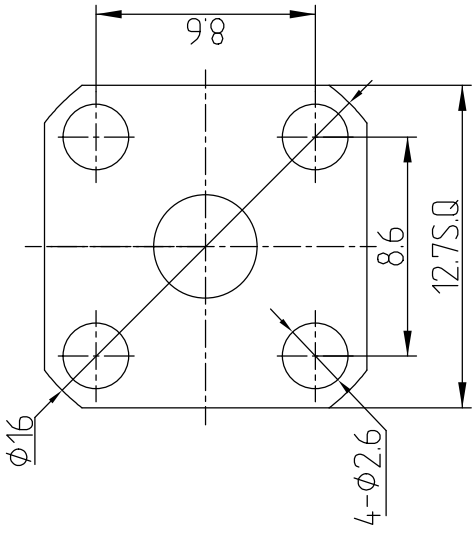
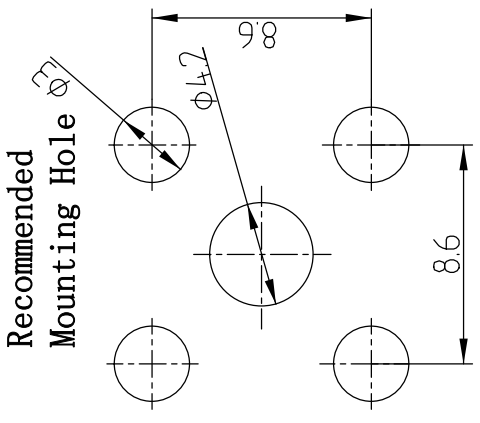


This document contains proprietary information and such information may not be disclosed to others for any purposes, not used for sales/marketing/procurement purposes without written permission



- 1 Electrical
 - 1.1 Impedance 50 Ω
 - 1.2 Frequency DC ~ 18GHz
 - 1.3 VSWR 1.30:1
- 2 Environmental & Mechanical
 - 2.1 Temperature range -45°C ~ 85°C
 - 2.2 RoHS Compliant
 - 2.3 Durability > 500 cycles
- 3 Materials & Plating
 - 3.1 Body: Stainless Steel, Passivated
 - 3.2 Insulator: Teflon
 - 3.3 Contact Pin: Beryllium-copper, Gold plated



Notes:

- 1. ALL SPECIFICATIONS ARE SUBJECT TO CHANGE NOTICE AT ANY TIME
- 2. CUSTOMER OUTLINE DRAWING FOR REFERENCE ONLY

DRAWN: T. Haiyun 15/09/17	TITLE:
ENGINEER: C. Tao 15/09/17	RF Coaxial Connector
APPROVED: W. Qiang 12/07/08	SMA Female Flange Conn. Terminal
TOLERANCES UNLESS OTHERWISE SPECIFIED	
X +0.20	
XX +0.10	
ANGLES ±1°	
PART NO: SMA-KFD1022G	SIZE: A4
	SCALE: N/A
	SHEET: 1/1
	REV: A



DIMENSION IN MILLIMETERS (mm)