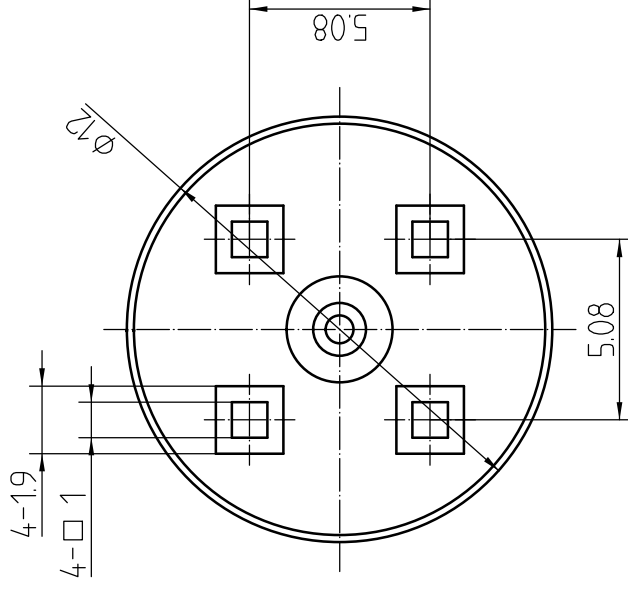
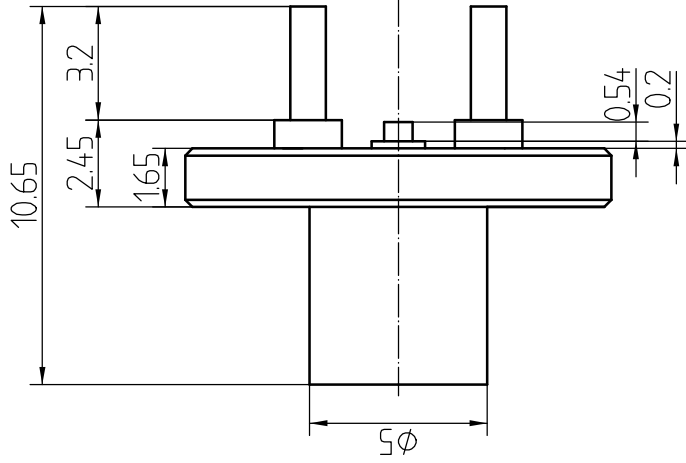


This document contains proprietary information and such information may not be disclosed to others for any purposes, not used for sales/marketing/procurement purposes without written permission



- 1 Electrical Data
  - 1.1 Impedance:  $50\ \Omega$
  - 1.2 Frequency: DC-6GHz
  - 1.3 VSWR: 1.30:1

- 2 Material&Finish
  - 2.1 Inner Contact: Beryllium-copper, gold plated
  - 2.2 Outer Contact: brass,gold plated
  - 2.3 Insulators: Teflon

**Notes:**

1. ALL SPECIFICATIONS ARE SUBJECT TO CHANGE NOTICE AT ANY TIME
2. CUSTOMER OUTLINE DRAWING FOR REFERENCE ONLY

REV	DESCRIPTION OF REVISION	ECN NO.	BY	DATE	APPROVED
A	Initial Release		T. Haiyun	15/09/17	15/09/17

DRAWN: T. Haiyun 15/09/17		TITLE:	
ENGINEER: C. Tao 15/09/17		RF Coaxial Connector	
APPROVED: W. Qiang 12/07/08		MCX Female Conn. PCB	
TOLERANCES UNLESS OTHERWISE SPECIFIED		www.rf-connector-china.com	
X	+0.50	DIMENSION IN MILLIMETERS (mm)	
X	+0.20	SCALE: N/A	
XX	+0.10	SIZE: A4	
ANGLES	*°	SHEET: 1/1	
PART NO: MCX-KHD13M		REV: A	

