

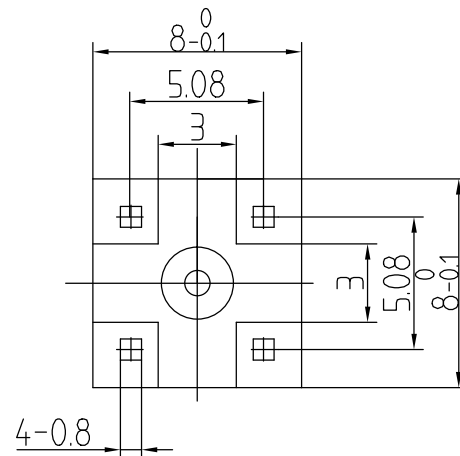
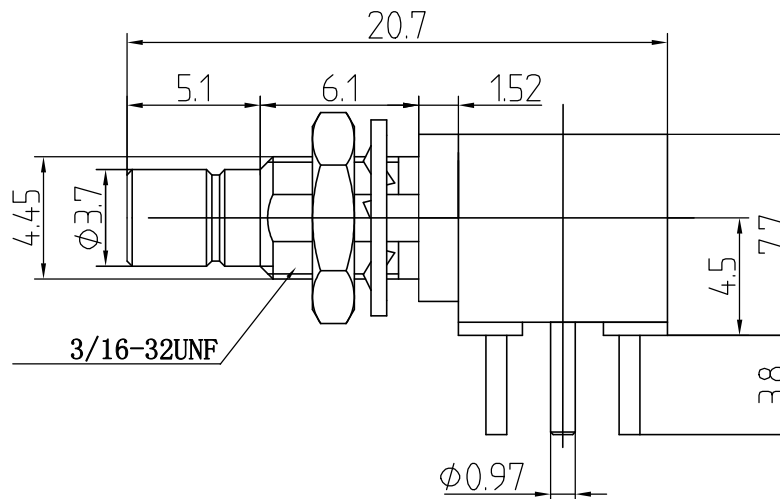
This document contains proprietary information and such information may not be disclosed to others for any purposes, not used for sales/marketing/procurement purposes without written permission

REV	DESCRIPTION OF REVISION	ECN NO.	BY	DATE	APPROVED
A	Initial Release	—	T. Shihua	2/12/14	2/12/14

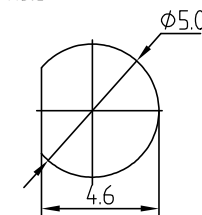
- 1 Electrical
- 1.1 Impedance: 50 Ω
 - 1.2 Frequency: 0~6GHz
 - 1.3 Working voltage: ≤250V
 - 1.4 Insulation resistance: ≥1000MΩ
 - 1.5 Dielectric strength: 750V
 - 1.6 Center Contact resistance: ≤6mΩ
 - 1.7 Outer contact resistance: ≤1mΩ

- 2 Environmental&Mechanical
- 2.1 Temperature range: -45℃~125℃
 - 2.2 RoHs Compliant
 - 2.3 Durability: 500 cycles

- 3 Materials&plating
- 3.1 Inner Contact: Brass, gold plating
 - 3.1 Outer Contact: brass, gold plated
 - 3.3 Insulators: Teflon
 - 3.4 Hex nut: Brass, gold plating
 - 3.5 Washer: Phosphor bronze, gold plating


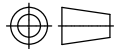


Recommended Mounbting Hole



Notes:

- 1. ALL SPECIFICATIONS ARE SUBJECT TO CHANGE NOTICE AT ANY TIME
- 2. CUSTOMER OUTLINE DRAWING FOR REFERENCE ONLY

DRAWN: T. Shihua 2/12/14 ENGINEER: C. Tao 2/12/14 APPROVED: W. Qiang 2/12/14 TOLERANCES UNLESS OTHERWISE SPECIFIED X ±0.50 X ±0.20 XX ±0.10 ANGLES ±1°	TITLE: RF Coaxial Connector SMB male Bulkhead R/A conn. For PCB PART NO: SMB-JYWH6	 www.teruilai.com  DIMENSION IN MILLIMETERS (mm)	
SIZE: A4	SCALE: N/A	SHEET: 1/1	REV: A