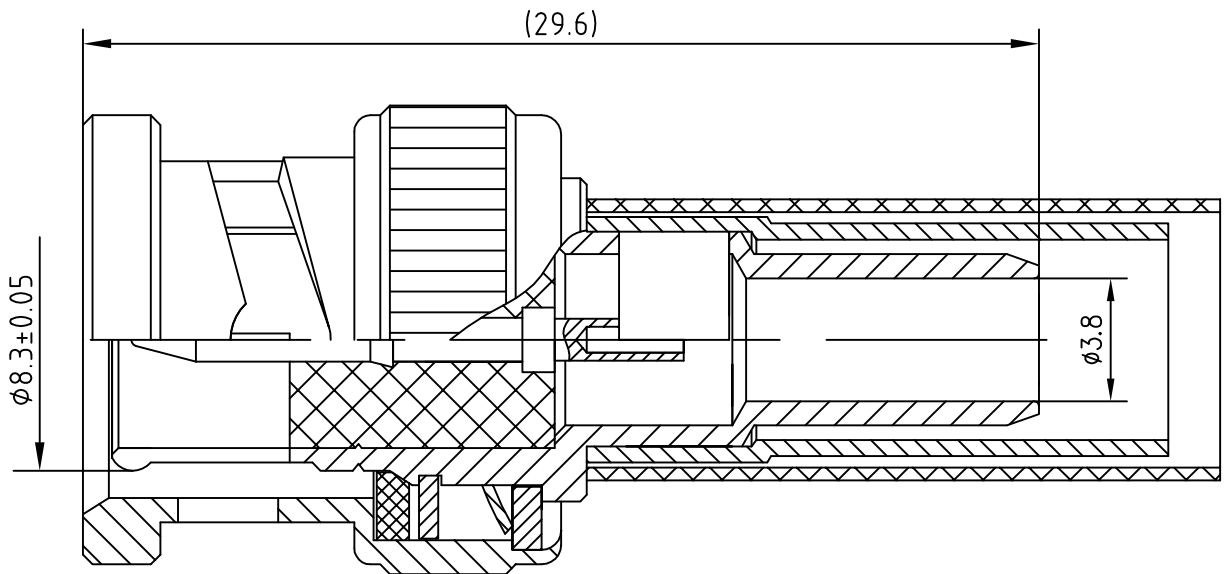


TRL110920G



Notes:

Electrical characteristics

1. Impedance: 75Ω

2. Working voltage: $\leq 500V$

3. Insulation resistance: $\geq 5000M\Omega$

4. Dielectric withstanding voltage: 1500V

5. Contact resistance

Center contact $\leq 1.5M\Omega$

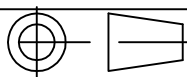
Outer contact $\leq 1M\Omega$

Material&Finish

Inner Contact: Phosphor bronze, gold plated

Outer Contact: Brass, nickel plated

Insulators: Teflon



Scale

1:1

BNC-75J6Y

BNC male Conn. for RG59 cable

UNLESS OTHERWISE SPECIFIED
DIMENSIONS ARE mm, TOLERANCES ARE:
FRACTIONS DECIMALS ANGLES

.X± .15 ±1°

.XX± .05

.XXX±

Designed

Tomson

21-Mar-08

Checked

Jason

21-Mar-08

Approved

Teresa

21-Mar-08

Xi'an T-RELY ELECTRONICS CO., LTD.