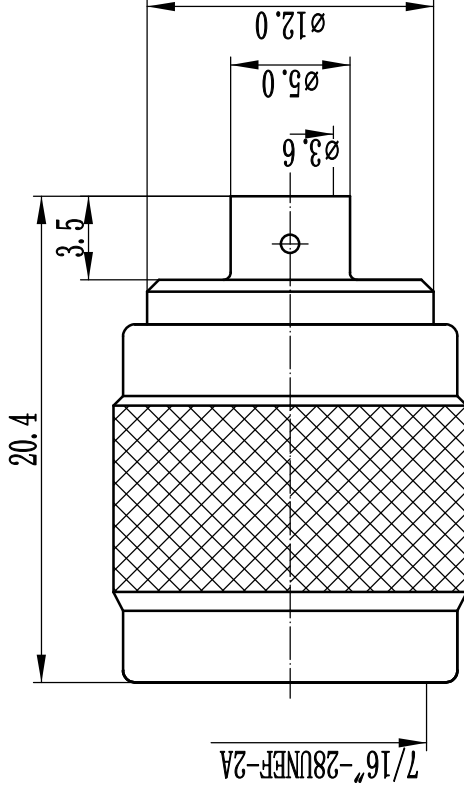


This document contains proprietary information and such information may not be disclosed to others for any purposes, not used for sales/marketing/procurement purposes without written permission

- 1 电气性能
  - 1.1 特性阻抗 50 Ω
  - 1.2 频率 DC~6GHz
  - 1.3 介质耐压 1500V
  - 1.4 中心导体电阻  $\leq 1.5M\Omega$
  - 1.5 外导体电阻  $\leq 0.2M\Omega$
  - 1.6 绝缘电阻  $\geq 5000M\Omega$
  - 1.7 VSWR  $\leq 1.25: 1$

2 材料及涂覆

- 2.1 外壳: 黄铜, 镀三元
- 2.2 绝缘子: teflon
- 2.3 内导体: 黄铜, 镀金
- 2.4 螺套: 黄铜, 镀三元



Notes:

1. ALL SPECIFICATIONS ARE SUBJECT TO CHANGE NOTICE AT ANY TIME
2. CUSTOMER OUTLINE DRAWING FOR REFERENCE ONLY

| REV | DESCRIPTION OF REVISION | ECN NO. | BY        | DATE     | APPROVED |
|-----|-------------------------|---------|-----------|----------|----------|
| A   | Initial Release         |         | T. Haiyun | 21/05/08 | 21/05/08 |

|                                       |               |                               |  |
|---------------------------------------|---------------|-------------------------------|--|
| DRAWN: T. Haiyun 21/05/08             |               | TITLE: RF Coaxial Connector   |  |
| ENGINEER: C. Tao 21/05/08             |               | www.terulilai.com             |  |
| APPROVED: W. Qiang 21/05/08           |               | TNC Male Conn. for RG402/ 141 |  |
| TOLERANCES UNLESS OTHERWISE SPECIFIED |               | DIMENSION IN MILLIMETERS (mm) |  |
| X                                     | $\pm 0.50$    | SCALE: N/A                    |  |
| .X                                    | $\pm 0.20$    | SHEET: 1/1                    |  |
| .XX                                   | $\pm 0.10$    | REV: A                        |  |
| ANGLES                                | $\pm 1^\circ$ | PART NO: TNC-JB3              |  |