

This document contains proprietary information and such information may not be disclosed to others for any purposes,
not used for sales/marketing/procurement purposes without written permission

REV	DESCRIPTION OF REVISION	ECN NO.	BY	DATE	APPROVED
A	Initial Release	—	T.Haiyun	5/11/14	5/11/14

1 Electrical

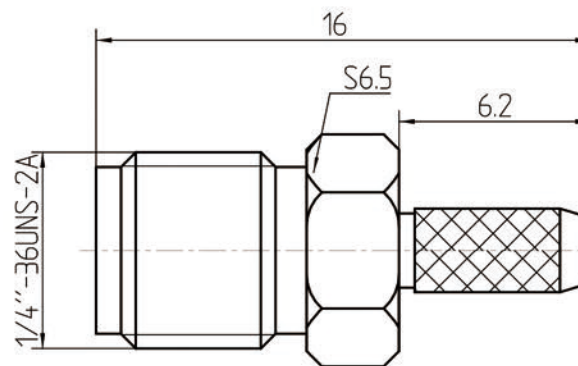
- 1.1 Impedence 50 Ω
- 1.2 Frequency 0~6GHz
- 1.2 Dielectric withstanding voltage 1000V (volts RMS)
- 1.3 Center contact resistance ≤ 3M Ω
- 1.4 Outer contact resistance ≤ 2M Ω
- 1.5 Insulation resistance: ≥ 5000M Ω
- 1.6 VSWR 1.25:1

2 Environmental & Mechanical

- 2.1 Temperature range -55℃~125℃
- 2.2 RoHs Compliant YES
- 2.3 Durability >500 cycles



3 Materials & plating

- 3.1 Body: Brass; Gold, plated
- 3.2 Insulator: Teflon
- 3.3 Contact Pin: Beryllium-copper; Gold, plated



Notes:

- 1. ALL SPECIFICATIONS ARE SUBJECT TO CHANGE NOTICE AT ANY TIME
- 2. CUSTOMER OUTLINE DRAWING FOR REFERENCE ONLY

DRAWN: T. Haiyun 5/11/14	TITLE: RF Coaxial Connector SMA Female Flange Connector RG316 Cable	 www.rf-connector-china.com		
ENGINEER: C. Tao 5/11/14				
APPROVED: W. Qiang 5/11/14				
TOLERANCES UNLESS OTHERWISE SPECIFIED X ±0.50 X ±0.20 XX ±0.10 ANGLES ±1°	PART NO: SMA-K3Y-HY	 DIMENSION IN MILLIMETERS (mm)		
	SIZE: A4	SCALE: N/A	SHEET: 1/1	REV: A