

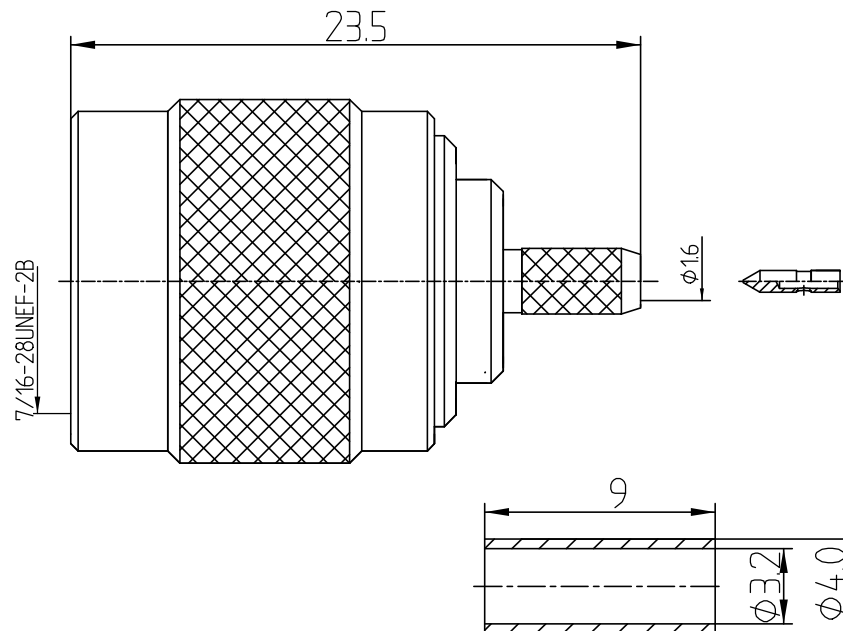
This document contains proprietary information and such information may not be disclosed to others for any purposes, not used for sales/marketing/procurement purposes without written permission

REV	DESCRIPTION OF REVISION	ECN NO.	BY	DATE	APPROVED
A	Initial Release	—	T. Haiyun	26/02/09	26/02/09



- 1 Electrical
- 1.1 Impedence 50  $\Omega$
  - 1.2 Frequency DC~6GHz
  - 1.3 Dielectric withstanding voltage 1500V(volts RMS)
  - 1.4 Center contact resistance  $\leq 15M\Omega$
  - 1.5 Outer contact resistance  $\leq 0.2M\Omega$
  - 1.6 Insulation resistance:  $\geq 5000M\Omega$

- 2 Environmental&Mechanical
- 2.1 Temperature range -40 $^{\circ}$ C~+70 $^{\circ}$ C
  - 2.2 RoHs Compliant
  - 2.3 Durability  $>500$  cycles

- 3 Materials&plating
- 3.1 Body: Brass;Nickel plated
  - 3.2 Insulator: Teflon
  - 3.3 Contact Pin: Brass, Gold plated
  - 3.4 Nut: Brass, Nickel plated
  - 3.5 Gasket: Silicon Rubber ( red color)
  - 3.6 Ferrule: Copper, Nickel plated



Notes:  
 1. ALL SPECIFICATIONS ARE SUBJECT TO CHANGE NOTICE AT ANY TIME  
 2. CUSTOMER OUTLINE DRAWING FOR REFERENCE ONLY

DRAWN: T. Haiyun 26/02/09	TITLE: RF Coaxial Connector TNC Male Conn. for RG174 Cable Crimp	 www.rf-connector-china.com			
ENGINEER: C. Tao 26/02/09					
APPROVED: W. Qiang 26/02/09		 DIMENSION IN MILLIMETERS (mm)			
TOLERANCES UNLESS OTHERWISE SPECIFIED X $\pm 0.50$ .X $\pm 0.20$ .XX $\pm 0.10$ ANGLES $\pm 1^{\circ}$	PART NO: TNC-J3Y	SIZE: A4	SCALE: N/A	SHEET: 1/1	REV: A