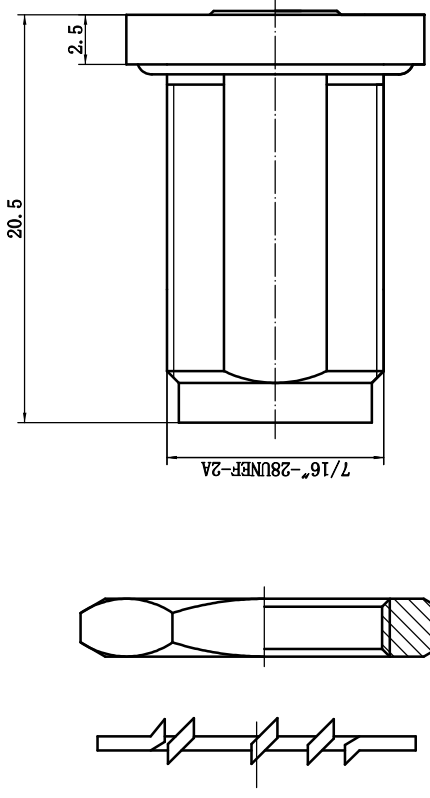


This document contains proprietary information and such information may not be disclosed to others for any purposes, not used for sales/marketing/procurement purposes without written permission

- 1 Electrical
 - 1.1 Impedence 50 Ω
 - 1.2 Frequency DC~6GHz
 - 1.3 VSWR 1.30:1
- 2 Environmental&Mechanical
 - 2.1 Temperature range -45°C~+125°C
 - 2.2 RoHs Compliant
 - 2.3 Durability >500 cycles
- 3 Material&plating
 - 3.1 Body: Brass; Nickel plated
 - 3.2 Insulator: Teflon
 - 3.3 Contact Pin: Bronze, Gold plated
 - 3.4 Nut: Brass, Nickel plated
 - 3.5 Gasket: Silicon Rubber (red color)
 - 3.6 Washer: Brass, Nickel plated



Notes:

- 1. ALL SPECIFICATIONS ARE SUBJECT TO CHANGE NOTICE AT ANY TIME
- 2. CUSTOMER OUTLINE DRAWING FOR REFERENCE ONLY

REV	DESCRIPTION OF REVISION	ECN NO.	BY	DATE	APPROVED
A	Initial Release		T. Haiyun	17/05/18	17/05/18

DRAWN: T. Haiyun 17/05/18		TITLE:	
ENGINEER: C. Tao 17/05/18		RF Coaxial Connector	
APPROVED: W. Qiang 17/05/18		TNC Female B/H Conn. for RG316 Cable	
TOLERANCES UNLESS OTHERWISE SPECIFIED		SCALE: N/A	
X ±0.50	.X ±0.20	SIZE: A4	SHEET: 1/1
.XX ±0.10	ANGLES ±1°	PART NO: TNC-50KY-6	
www.rf-connector-china.com		DIMENSION IN MILLIMETERS (mm)	

