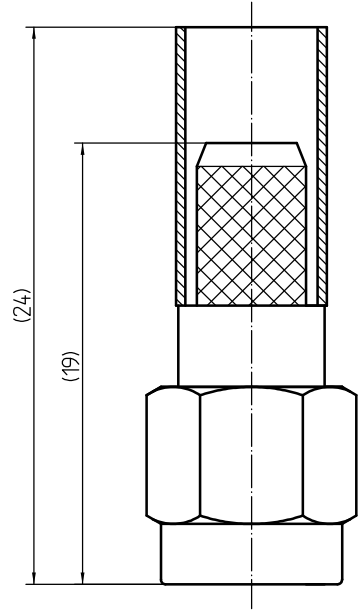


This document contains proprietary information and such information may not be disclosed to others for any purposes, not used for sales/marketing/procurement purposes without written permission

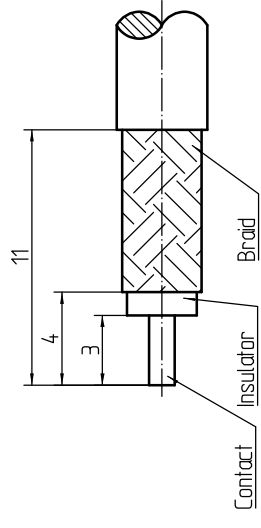
- 1 Electrical
- 1.1 Impedence: 50Ω
- 1.2 Frequency: DC ~ 6GHz
- 1.3 Dielectric withstanding voltage: 1000V (volts RMS)
- 1.4 Center contact resistance: $\leq 3M \Omega$
- 1.5 Outer contact resistance: $\leq 2M \Omega$
- 1.6 Insulation resistance: $\geq 5000M \Omega$
- 1.7 VSWR: 1.25:1

- 2 Environmental & Mechanical
- 2.1 Temperature range: $-40^{\circ}C \sim +125^{\circ}C$
- 2.2 RoHS Compliant
- 2.3 Durability: >500 cycles

- 3 Materials & Plating
- 3.1 Body: Brass; Gold plated
- 3.2 Insulator: Teflon
- 3.3 Contact Pin: Brass; Gold plated
- 3.4 Nut: Brass; Gold plated
- 3.5 Gasket: Silicon Rubber (red color)
- 3.6 Ferrule: Copper; Nickel plated



Recommended Cable Stripping Dimension



Notes:

- 1. ALL SPECIFICATIONS ARE SUBJECT TO CHANGE NOTICE AT ANY TIME
- 2. CUSTOMER OUTLINE DRAWING FOR REFERENCE ONLY

DRAWN: T. Haiyun 26/11/12 ENGINEER: C. Tao 26/11/12 APPROVED: W. Qiang 26/11/12 TOLERANCES UNLESS OTHERWISE SPECIFIED X ± 0.20 XX ± 0.10 ANGLES $\neq 90^{\circ}$	TITLE: RF Coaxial Connector SMA Male Conn. for Cable RG58/LMR195/RG142/RG223 Cr Imp	www.rf-connector-china.com DIMENSION IN MILLIMETERS (mm)
PART NO: SMA-J5-E	SIZE: A4 SCALE: N/A SHEET: 1/1 REV: A	