

This document contains proprietary information and such information may not be disclosed to others for any purposes, not used for sales/marketing/procurement purposes without written permission

1 Electrical

- 1.1 Impedance: 50 Ω
- 1.2 Frequency: DC-50GHz
- 1.3 VSWR: 1.3:1

2 Mechanical & Environmental

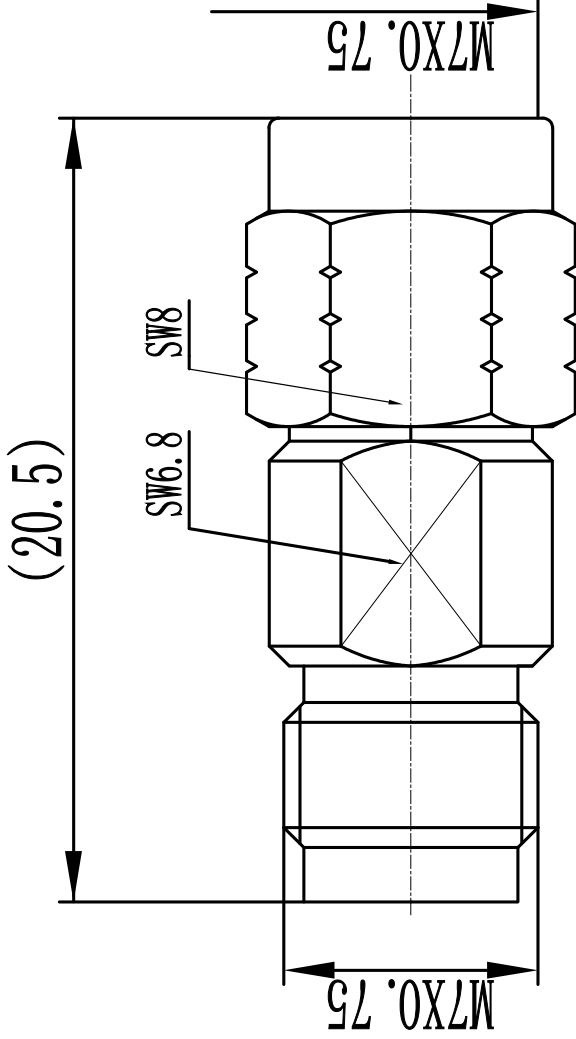
- 2.1 Temperature range -45°C ~ +85°C
- 2.2 Durability (matings) >500
- 2.3 RoHS Compliant Yes

3 Material & Finish

- 3.1 Pin contact: Beryllium-Copper, gold plated
- 3.2 Body: Stainless Steel (SU303), Passivated
- 3.3 Insulators: PEI

4 Interface Standards

- 4.1 2.4 IEEE STD 287-2007
- 4.2 1.85mm IEC-61169



REV	DESCRIPTION OF REVISION	ECN NO.	BY	DATE	APPROVED
A	Initial Release		T. Shihua	21/08/17	21/08/17

Notes:

- 1. ALL SPECIFICATIONS ARE SUBJECT TO CHANGE NOTICE AT ANY TIME
- 2. CUSTOMER OUTLINE DRAWING FOR REFERENCE ONLY

DRAWN : T. Shihua 21/08/17

ENGINEER: C. Tao 21/08/17

APPROVED : W. Qiang 21/08/17

TOLERANCES UNLESS OTHERWISE SPECIFIED
 X ±0.50
 .X ±0.20
 .XX ±0.10
 ANGLES °

TITLE:

Precision Adapter

2.4 Female to 1.85 Male

PART NO: 1.85/2.4-J8



www.carl.com



DIMENSION IN MILLIMETERS (mm)

SIZE: A4

SCALE: N/A

SHEET: 1/1

REV: A