

This document contains proprietary information and such information may not be disclosed to others for any purposes, not used for sales/marketing/procurement purposes without written permission

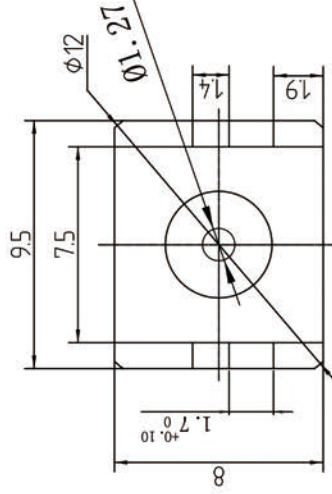
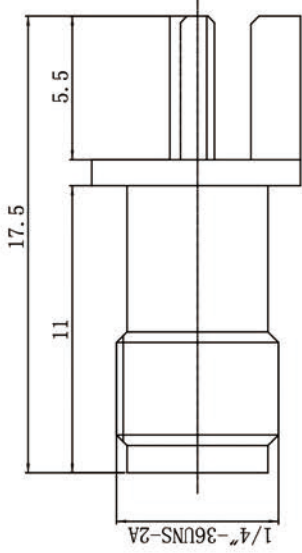
- 1 Electrical
 - 1.1 Impedence 50 Ω
 - 1.2 Frequency DC~6GHz
 - 1.3 Dielectric withstanding voltage 1000V(volts RMS)
 - 1.4 Center contact resistance $\leq 3M\Omega$
 - 1.5 Outer contact resistance $\leq 2M\Omega$
 - 1.6 Insulation resistance: $\geq 5000M\Omega$

2 Environmental&Mechanical

- 2.1 Temperature range -45 $^{\circ}$ c~125 $^{\circ}$ c
- 2.2 RoHs Compliant
- 2.3 Durability >500 cycles

3 Materials&plating

- 3.1 Body: Brass; Gold, plated
- 3.2 Insulator: Teflon
- 3.3 Contact Pin: Beryllium Copper; Gold,plated



Notes:

1. ALL SPECIFICATIONS ARE SUBJECT TO CHANGE NOTICE AT ANY TIME
2. CUSTOMER OUTLINE DRAWING FOR REFERENCE ONLY

REV	DESCRIPTION OF REVISION	ECN NO.	BY	DATE	APPROVED
A	Initial Release		T.Haiyum	24/7/13	24/7/13

DRAWN: T. Haiyum 24/07/13	TITLE: SMA-KHDC5T	www.rf-connector-china.com
ENGINEER: C. Tao 24/07/13	SMA Female Conn. End Launch	
APPROVED: W. Qiang 24/07/13		
TOLERANCES UNLESS OTHERWISE SPECIFIED		
X ±0.50		
.X ±0.20		
.XX ±0.10		
ANGLES ±1 $^{\circ}$		
PART NO: TRL-SMAF-5129	SCALE: 1:1	SHEET: 1/1
	SIZE: A4	REV: A