

This document contains proprietary information and such information may not be disclosed to others for any purposes, not used for sales/marketing/procurement purposes without written permission

REV	DESCRIPTION OF REVISION	ECN NO.	BY	DATE	APPROVED
A	Initial Release	—	T. Shihua	21/04/2021	21/04/2021

1 Electrical

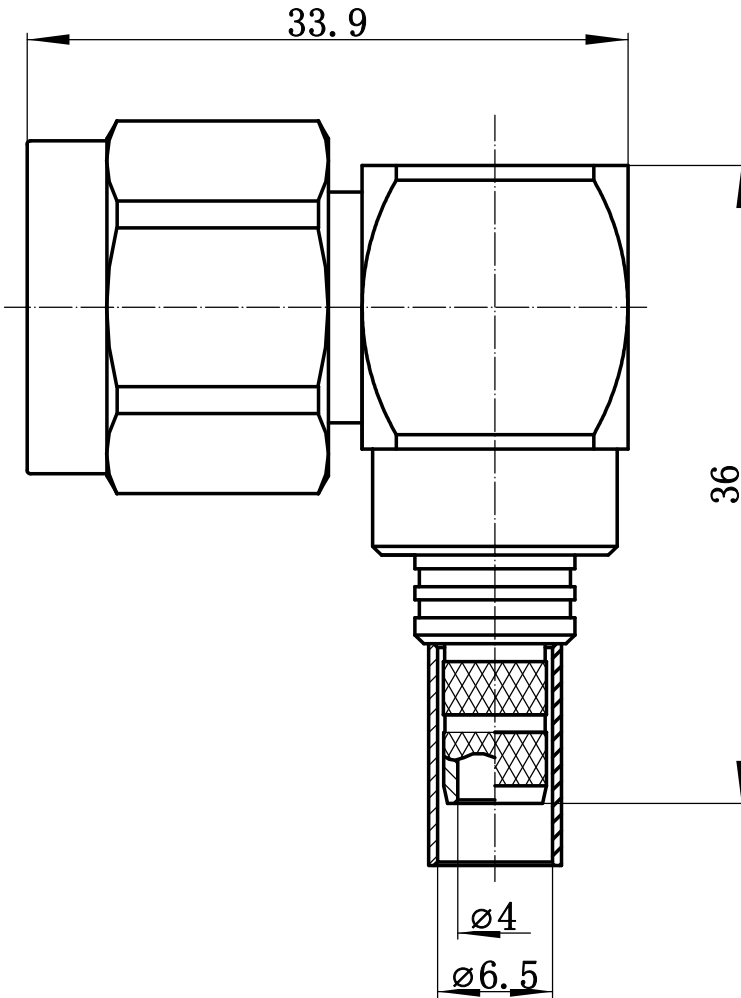
- 1.1 Impedence 50 Ω
- 1.2 Frequency DC~6GHz
- 1.2 Dielectric withstanding voltage 1500V (volts RMS)
- 1.3 Working Voltage: 1000V rms
- 1.5 Insulation resistance: $\geq 5000M \Omega$
- 1.6 VSWR 1.30:1

2 Environmental&Mechanical

- 2.1 Temperature range -40°C~125°C
- 2.2 RoHs Compliant
- 2.3 Durability >500 cycles



3 Materials&plating

- 3.1 Body: Brass, Suco-plated
- 3.2 Insulator: Teflon
- 3.3 Contact Pin: Brass, Gold plated
- 3.4 Ferrule: Copper, Nickel plated
- 3.5 Coupling nut: Brass, Suco-plated



Notes:

- 1. ALL SPECIFICATIONS ARE SUBJECT TO CHANGE NOTICE AT ANY TIME
- 2. CUSTOMER OUTLINE DRAWING FOR REFERENCE ONLY

DRAWN: T. Shihua 21/04/2021 ENGINEER: C. Tao 21/04/2021 APPROVED: W. Qiang 21/04/2021 TOLERANCES UNLESS OTHERWISE SPECIFIED X ±0.50 .X ±0.20 .XX ±0.10 ANGLES ±1°	TITLE: RF Coaxial Connector N male R/A Conn. For LMR240 cable PART NO: N-JW240Y-T	 www.rf-connector-china.com  DIMENSION IN MILLIMETERS (mm) SIZE: A4 SCALE: N/A SHEET: 1/1 REV: A
--	--	--