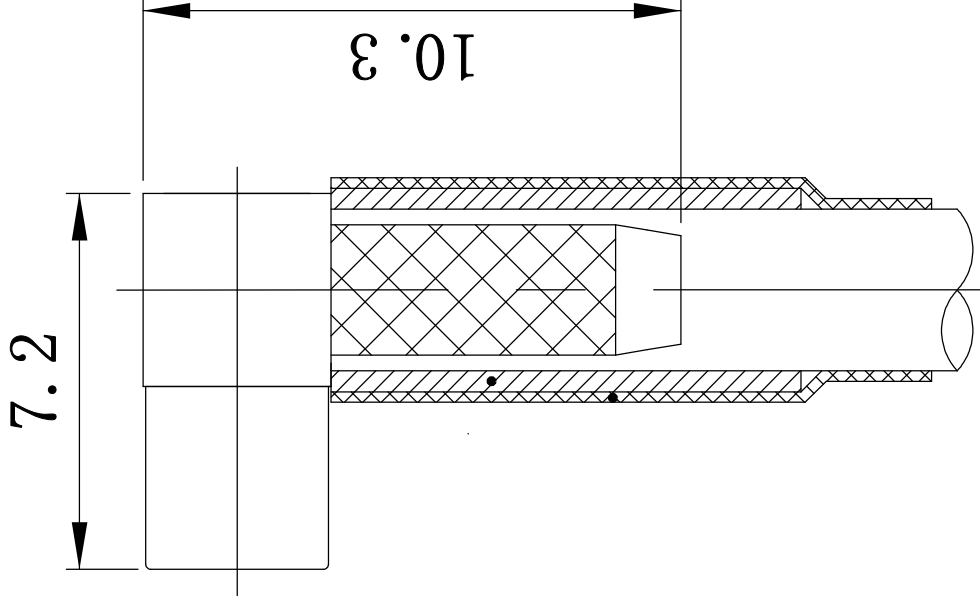


This document contains proprietary information and such information may not be disclosed to others for any purposes, not used for sales/marketing/procurement purposes without written permission

- 1 Electrical
 - 1.1 Impedance: 50Ω
 - 1.2 Frequency: 0-6GHz
 - 1.3 Working voltage: $\leq 170V$
 - 1.4 Insulation resistance: $\geq 1000M\Omega$
 - 1.5 Dielectric withstanding voltage: 500V
 - 1.6 Center contact resistance $\leq 10M\Omega$
 - 1.7 Outer contact resistance $\leq 5M\Omega$



- 2 Material&Finish
 - 2.1 Inner Contact: Beryllium Copper, gold plated
 - 2.2 Outer Contact: brass, gold plated
 - 2.3 Insulators: Teflon



Notes:

1. ALL SPECIFICATIONS ARE SUBJECT TO CHANGE NOTICE AT ANY TIME
2. CUSTOMER OUTLINE DRAWING FOR REFERENCE ONLY

REV	DESCRIPTION OF REVISION	ECN NO.	BY	DATE	APPROVED
A	Initial Release		T. Shihua	12/7/06	12/7/06

DRAWN: T. Shihua 12/07/06		TITLE: RF Coaxial Connector	
ENGINEER: C. Tao 12/07/06		 www.frellytech.com	
APPROVED: W. Qiang 12/07/06		 DIMENSION IN MILLIMETERS (mm)	
TOLERANCES UNLESS OTHERWISE SPECIFIED X +0.50 .X +0.20 .XX +0.10 ANGLES *°		SIZE: A4 SCALE: 2:1 SHEET: 1/1 REV: A	
PART NO: MMCX-RW3			