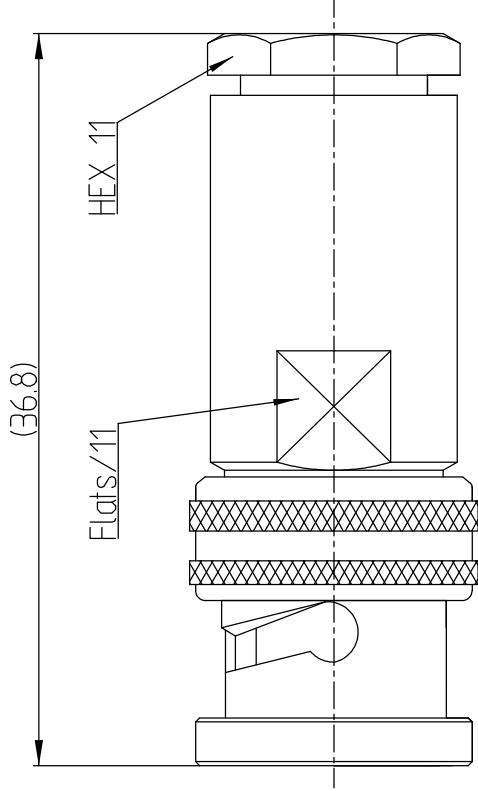
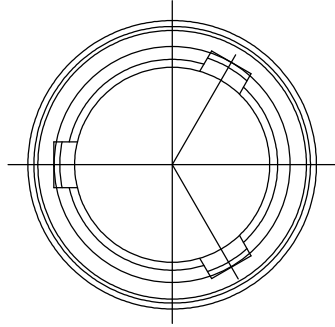


This document contains proprietary information and such information may not be disclosed to others for any purposes, not used for sales/marketing/procurement purposes without written permission

REV	DESCRIPTION OF REVISION	ECN NO.	BY	DATE	APPROVED
A	Initial Release		T.Haiyun	26/07/17	26/07/17



3 Materials & plating

- 3.1 Body: Brass; Suco-plated
- 3.2 Insulator: Teflon
- 3.3 Contact Pin: Bronze Gold plated
- 3.4 Outer contact: Brass Gold plated

**Notes:**

- 1. ALL SPECIFICATIONS ARE SUBJECT TO CHANGE NOTICE AT ANY TIME
- 2. CUSTOMER OUTLINE DRAWING FOR REFERENCE ONLY

<b>DRAWN:</b> T.Haiyun 26/07/17	<b>TITLE:</b>	<b>SCALE:</b> N/A	<b>SIZE:</b> A4	<b>REV:</b> A
<b>ENGINEER:</b> C.Tao 26/07/17	<b>RF Coaxial Connector</b>	<b>SCALE:</b> N/A	<b>SIZE:</b> A4	<b>REV:</b> A
<b>APPROVED:</b> W.Qiang 26/07/17	<b>TRB Male Connector for Triax RG316 Cable</b>	<b>SCALE:</b> N/A	<b>SIZE:</b> A4	<b>REV:</b> A
<b>TOLERANCES UNLESS OTHERWISE SPECIFIED</b>		<b>SCALE:</b> N/A	<b>SIZE:</b> A4	<b>REV:</b> A
X ±0.50		<b>SCALE:</b> N/A	<b>SIZE:</b> A4	<b>REV:</b> A
.X ±0.20		<b>SCALE:</b> N/A	<b>SIZE:</b> A4	<b>REV:</b> A
.XX ±0.10		<b>SCALE:</b> N/A	<b>SIZE:</b> A4	<b>REV:</b> A
ANGLES ±1°		<b>SCALE:</b> N/A	<b>SIZE:</b> A4	<b>REV:</b> A
		<b>SCALE:</b> N/A	<b>SIZE:</b> A4	<b>REV:</b> A



DIMENSION IN MILLIMETERS (mm)

www.qrlnet.com

1/1