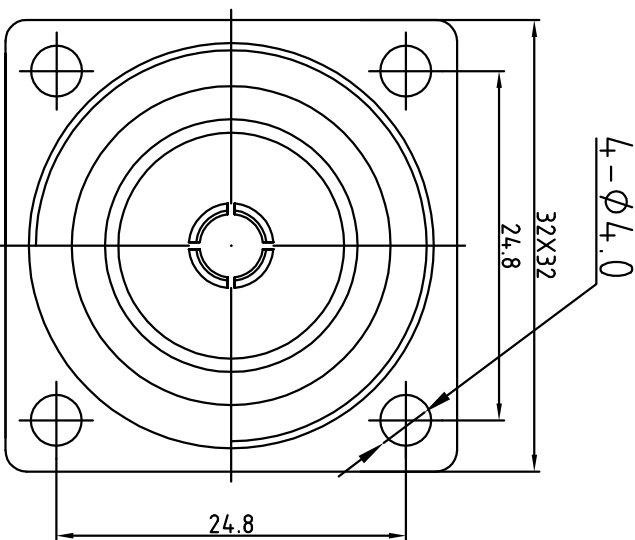
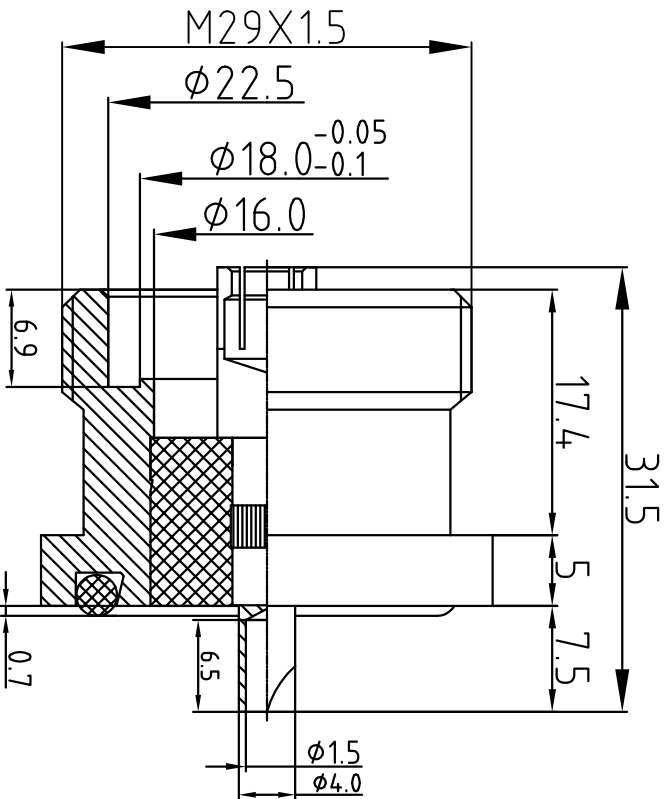


This document contains proprietary information and such information may not be disclosed to others for any purposes, not used for sales/marketing/procurement purposes without written permission

| REV | DESCRIPTION OF REVISION | ECN NO. | BY       | DATE   | APPROVED |
|-----|-------------------------|---------|----------|--------|----------|
| A   | Initial Release         |         | T.Shihua | 8/9/16 | 8/9/16   |



材料及涂覆

- 1 外壳: 黄铜, 镀镍
- 2 绝缘介质: Teflon
- 3 内导体: 青铜, 镀金
- 4 密封圈: 硅橡胶 (红色)

Notes:

- 1. ALL SPECIFICATIONS ARE SUBJECT TO CHANGE NOTICE AT ANY TIME
- 2. CUSTOMER OUTLINE DRAWING FOR REFERENCE ONLY

|                                       |                 |
|---------------------------------------|-----------------|
| DRAWN:                                | T.Shihua 8/9/16 |
| ENGINEER:                             | C.Too 8/9/16    |
| APPROVED:                             | W.Qiang 8/9/16  |
| TOLERANCES UNLESS OTHERWISE SPECIFIED |                 |
| X                                     | ±0.30           |
| .X                                    | ±0.20           |
| .XX                                   | ±0.10           |
| ANGLES                                | ±1°             |

|          |                |
|----------|----------------|
| TITLE:   | 7/16-KFDT      |
| PART NO: | TRL-DIM-282865 |
| 射频频同轴连接器 |                |


  
[www.terlial.com](http://www.terlial.com)

DIMENSION IN MILLIMETERS (mm)

SIZE: A4    SCALE: N/A    SHEET: 1/1    REV: A