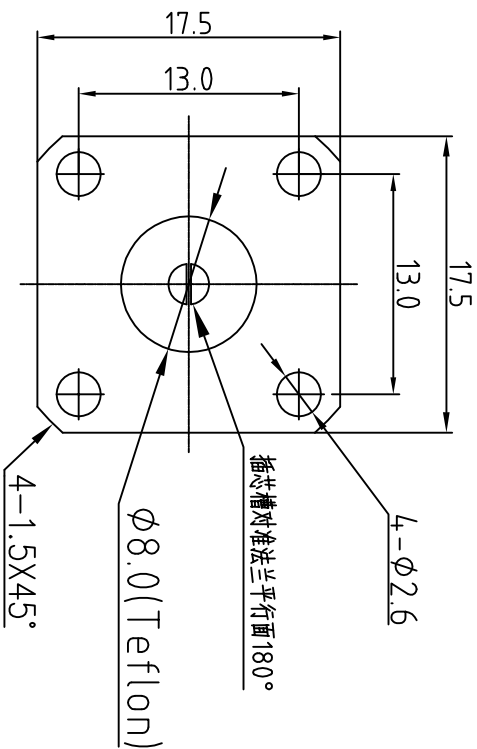
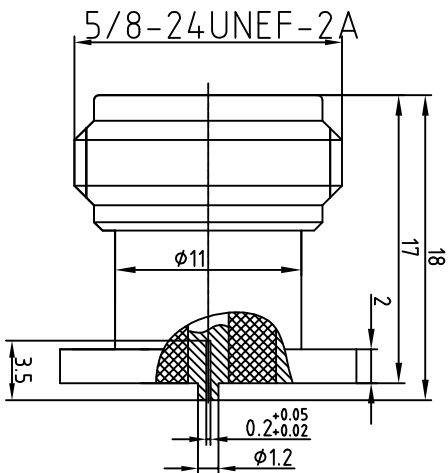


This document contains proprietary information and such information may not be disclosed to others for any purposes, not used for sales/marketing/procurement purposes without written permission

REV	DESCRIPTION OF REVISION	ECN NO.	BY	DATE	APPROVED
A	New Release		T.Shihna	11/09/15	11/09/15



1 Electrical


- 1.1 Impedance: 50Ω
- 1.2 Frequency: 0-6GHz
- 1.3 Insulation resistance: $\geq 5000M\Omega$
- 1.4 Dielectric strength: 1500V
- 1.5 Center Contact resistance $\leq 1M\Omega$
- 1.6 Outer contact resistance $\leq 0.2M\Omega$
- 1.7 VSWR: 1.1 max

2 Materials&Finish

- 2.1 Inner Contact: Phosphor bronze, gold plated
- 2.2 Outer Contact: Brass, Suco-plated
- 2.3 Insulators: PTFE

Notes:

- 1.ALL SPECIFICATIONS ARE SUBJECT TO CHANGE NOTICE AT ANY TIME
- 2.CUSTOMER OUTLINE DRAWING FOR REFERENCE ONLY

DRAWN: T.Shihna 11/09/15	TITLE: N-KPD111	SIZE: A4	SCALE: N/A	SHEET: 1/1	REV: A
ENGINEER: C.Tao 11/09/15					
APPROVED: W.Chong 11/09/15	N Female Straight Flange Connector Terminal	 www.t-rely.com.cn			
TOLERANCES UNLESS OTHERWISE SPECIFIED					
X ±0.20					
.XX ±0.10					
ANGLES 3°					
PART NO: TRL-NF-203808					