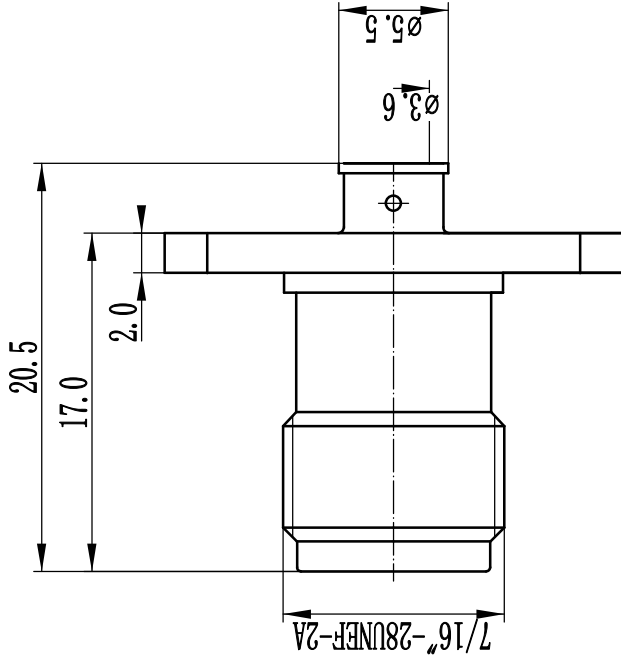


This document contains proprietary information and such information may not be disclosed to others for any purposes, not used for sales/marketing/procurement purposes without written permission



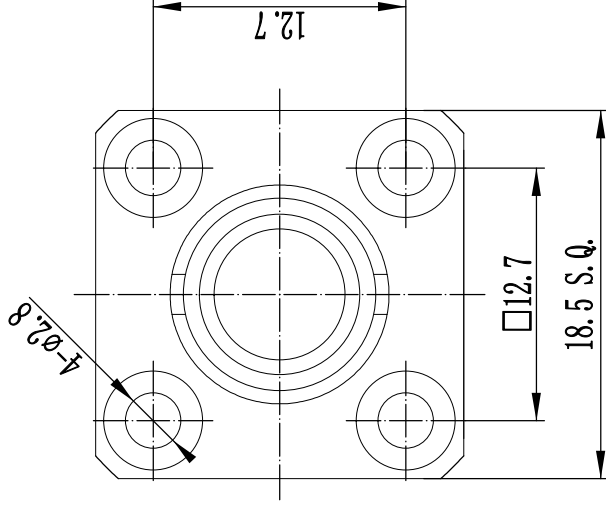
- 1 Electrical
 - 1.1 Impedance 50 Ω
 - 1.2 Frequency DC~6GHz
 - 1.3 Dielectric withstanding voltage 1500V(volts RMS)
 - 1.4 Center contact resistance ≤ 1.5M Ω
 - 1.5 Outer contact resistance ≤ 0.2M Ω
 - 1.6 Insulation resistance: ≥5000M Ω

- 2 Environmental&Mechanical
 - 2.1 Temperature range -40℃~+125℃
 - 2.2 RoHs Compliant
 - 2.3 Durability >500 cycles

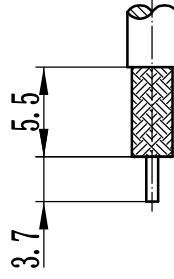
- 3 Materials&plating
 - 3.1 Body: Brass; Tri-Metal plated
 - 3.2 Insulator: Teflon
 - 3.3 Contact Pin: Bronze, Gold plated

Notes:

1. ALL SPECIFICATIONS ARE SUBJECT TO CHANGE NOTICE AT ANY TIME
2. CUSTOMER OUTLINE DRAWING FOR REFERENCE ONLY



Recommended Stripping Dimension



REV	DESCRIPTION OF REVISION	ECN NO.	BY	DATE	APPROVED
A	Initial Release		T. Haiyun	16/08/17	16/08/17

DRAWN: T. Haiyun 16/08/17		TITLE: RF Coaxial Connector	
ENGINEER: C. Tao 16/08/17		www.ftconnec.com.cn	
APPROVED: W. Qiang 16/08/17		DIMENSION IN MILLIMETERS (mm)	
TOLERANCES UNLESS OTHERWISE SPECIFIED		SCALE: N/A	
X ±0.50	.X ±0.20	A4	1/1
.XX ±0.10	ANGLES ±1°	SIZE: A4	REV: A
PART NO: TNC-RFES		SHEET: 1/1	

