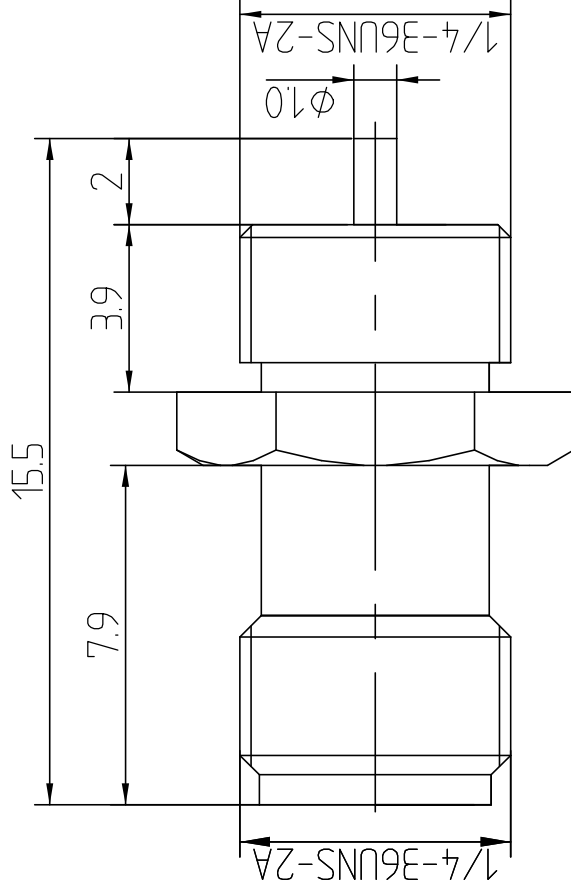


This document contains proprietary information and such information may not be disclosed to others for any purposes, not used for sales/marketing/procurement purposes without written permission

- 1 Electrical
 - 1.1 Impedence 50 Ω
 - 1.2 Frequency DC ~6GHz
 - 1.3 Dielectric withstanding voltage 1000V (volts RMS)
 - 1.4 Center contact resistance $\leq 3M\Omega$
 - 1.5 Outer contact resistance $\leq 2M\Omega$
 - 1.6 Insulation resistance: $\geq 5000M\Omega$

- 2 Environmental & Mechanical
 - 2.1 Temperature range -40 $^{\circ}$ C ~ +85 $^{\circ}$ C
 - 2.2 RoHS Compliant Yes
 - 2.3 Durability >500 cycles

- 3 Materials & Plating
 - 3.1 Body: Brass, Gold-Plated
 - 3.2 Insulator: Teflon,
 - 3.3 Contact Pin: Beryllium-copper, Gold plated



REV	DESCRIPTION OF REVISION	ECN NO.	BY	DATE	APPROVED
A	Initial Release		T. Haiyum	08/08/17	08/08/17

Notes:

1. ALL SPECIFICATIONS ARE SUBJECT TO CHANGE NOTICE AT ANY TIME
2. CUSTOMER OUTLINE DRAWING FOR REFERENCE ONLY

DRAWN: T. Haiyum 08/08/17
ENGINEER: C. Tao 08/08/17
APPROVED: W. Qiang 08/08/17
TOLERANCES UNLESS OTHERWISE SPECIFIED
X ±0.50
.X ±0.20
.XX ±0.10
ANGLES ±1 $^{\circ}$

TITLE:	
RF Coaxial Connector	
SMA Female Conn. for Terminal	
PART NO:	SMA-8DI

		www.qrl-rf.com	
		DIMENSION IN MILLIMETERS (mm)	
SCALE:	N/A	SHEET:	1/1
SIZE:	A4	REV:	A