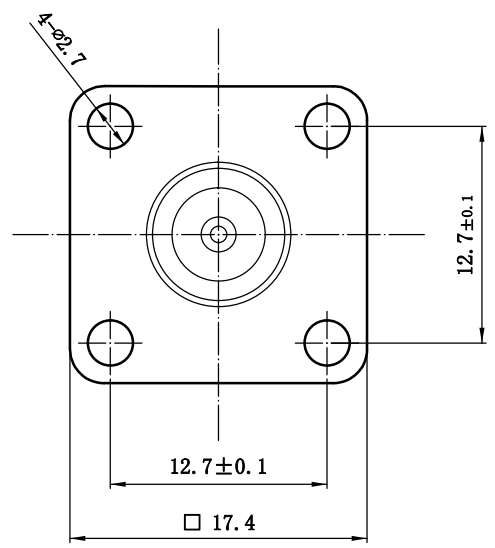
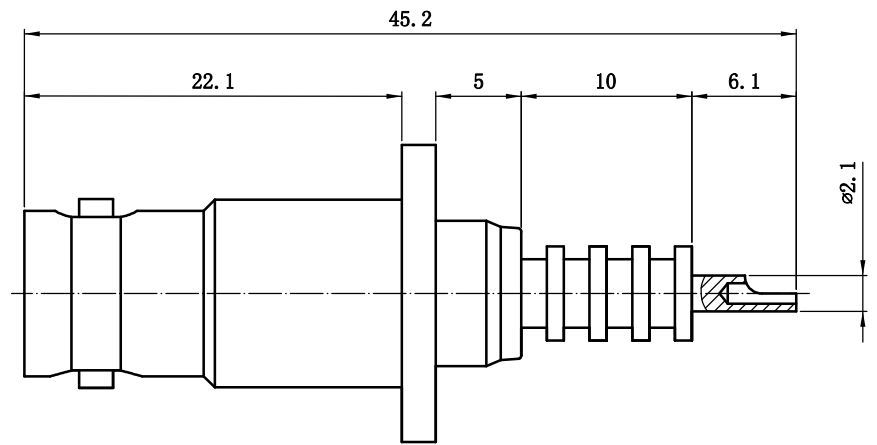


This document contains proprietary information and such information may not be disclosed to others for any purposes, not used for sales/marketing/procurement purposes without written permission

REV	DESCRIPTION OF REVISION	ECN NO.	BY	DATE	APPROVED
A	Initial Release	—	T. Shihua	12/7/13	12/7/13



1 Electrical



- 1.1 Impedance: 50Ω
- 1.2 Frequency: DC-300MHz
- 1.3 Dielectric withstanding voltage 5.0kV rms,
- 1.4 Working Voltage(at sea level) 5.0kV rms,
- 1.5 Insulation resistance: ≥1TΩ
- 1.4 Center contact resistance ≤ 2MΩ
- 1.5 Outer contact resistance ≤ 15MΩ

2 Material&Finish

- 2.1 Inner Contact: Phosphor Bronze, gold plating
- 2.2 Outer Contact: Brass,nickel plating
- 2.3 Insulators: PTFE

Notes:

- 1. ALL SPECIFICATIONS ARE SUBJECT TO CHANGE NOTICE AT ANY TIME
- 2. CUSTOMER OUTLINE DRAWING FOR REFERENCE ONLY

DRAWN: T. Shihua 12/07/13 ENGINEER: C. Tao 12/07/13 APPROVED: W. Qiang 12/07/13 TOLERANCES UNLESS OTHERWISE SPECIFIED X ±0.50 X ±0.20 XX ±0.10 ANGLES ±1°	TITLE: RF Coaxial Connector SHV female connector Flange Mounting PART NO: SHV-JFD	 www.rf-connector-china.com  DIMENSION IN MILLIMETERS (mm)		
	SIZE: A4	SCALE: 1:1	SHEET: 1/1	REV: A