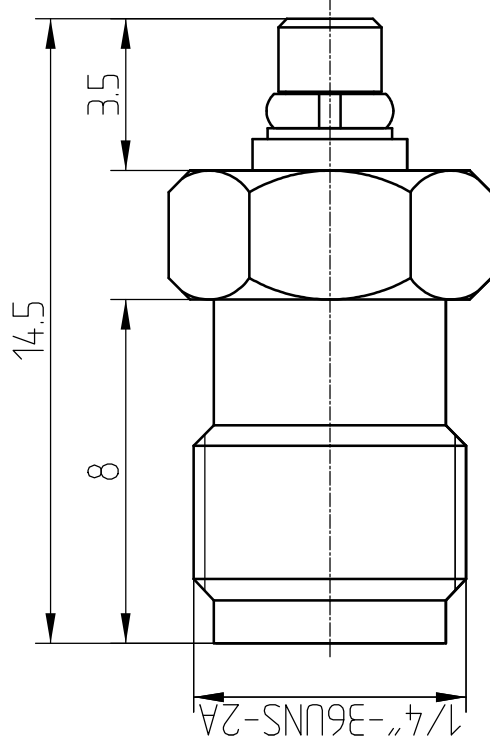


This document contains proprietary information and such information may not be disclosed to others for any purposes, not used for sales/marketing/procurement purposes without written permission

- 1 电气性能
 - 1.1 特性阻抗 50 Ω
 - 1.2 频率 DC~6GHz
 - 1.3 介质耐压 500V
 - 1.4 中心导体电阻 $\leq 10M\Omega$
 - 1.5 外导体电阻 $\leq 5M\Omega$
 - 1.6 绝缘电阻 $\geq 1000M\Omega$
 - 1.7 VSWR $\leq 1.25: 1$

2 材料及涂覆

- 2.1 外壳: 黄铜; 镀金
- 2.2 绝缘子: Teflon
- 2.3 内导体: 铍青铜; 镀金
- 2.4 接触环: 铍青铜, 镀金



REV	DESCRIPTION OF REVISION	ECN NO.	BY	DATE	APPROVED
A	Initial Release		T. Haiyun	24/07/15	24/07/15

DRAWN: T. Haiyun 24/07/15		TITLE: RF Adaptor		www.terulilai.com	
ENGINEER: C. Tao 24/07/15		SMA Female to MMCX Male		DIMENSION IN MILLIMETERS (mm)	
APPROVED: W. Qiang 24/07/15		PART NO: SMA/MMCX-KJ		SCALE: N/A	
TOLERANCES UNLESS OTHERWISE SPECIFIED		SIZE: A4		SHEET: 1/1	
X ±0.50	XX ±0.20	ANGLES °		REV: A	

Notes:

1. ALL SPECIFICATIONS ARE SUBJECT TO CHANGE NOTICE AT ANY TIME
2. CUSTOMER OUTLINE DRAWING FOR REFERENCE ONLY