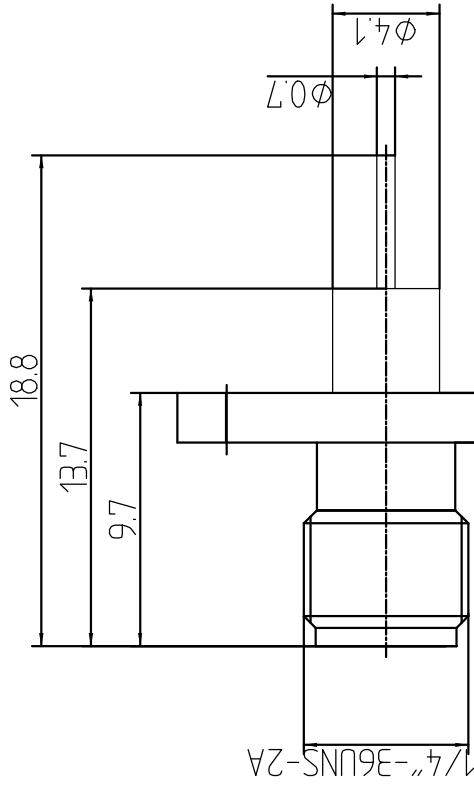


This document contains proprietary information and such information may not be disclosed to others for any purposes, not used for sales/marketing/procurement purposes without written permission



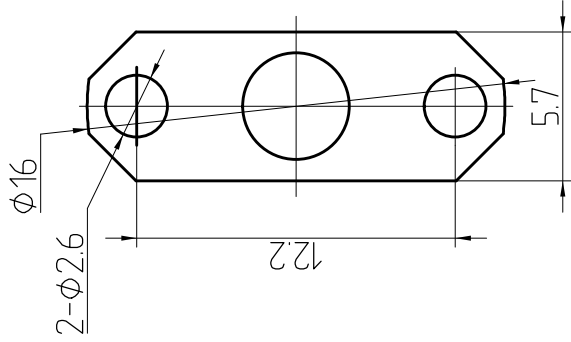
1. Electrical
- 1.1 Impedance: 50 Ω
 - 1.2 Frequency: DC ~6GHz
 - 1.2 Dielectric withstanding voltage: 1000V (volts RMS)
 - 1.3 Center contact resistance: ≤ 3MΩ
 - 1.4 Outer contact resistance: ≤ 2MΩ
 - 1.5 Insulation resistance: ≥ 5000MΩ
 - 1.6 VSWR: 1.2max

2. Environmental & Mechanical
- 2.1 Temperature range: -45°C ~ 85°C
 - 2.2 RoHS Compliant
 - 2.3 Durability: >500 cycles

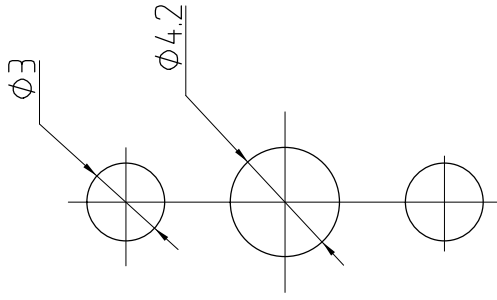
3. Materials & Plating
- 3.1 Body: Brass, Gold plated
 - 3.2 Insulator: Teflon
 - 3.3 Contact Pin: Bronze, Gold plated

Notes:

- 1. ALL SPECIFICATIONS ARE SUBJECT TO CHANGE NOTICE AT ANY TIME
- 2. CUSTOMER OUTLINE DRAWING FOR REFERENCE ONLY



Mounting Hole



REV	DESCRIPTION OF REVISION	ECN NO.	BY	DATE	APPROVED
A	Initial Release		T. Haiyum	15/09/17	15/09/17

DRAWN: T. Haiyum 15/09/17

ENGINEER: C. Teo 15/09/17

APPROVED: W. Qiang 12/07/08

TOLERANCES UNLESS OTHERWISE SPECIFIED
 X ±0.50
 .X ±0.20
 .XX ±0.10
 ANGLES ° ±1°

TITLE:
RF Coaxial Connector

SMA Female Flange Conn. Terminal

PART NO: SMA-KFD1039



www.trf-f.com



DIMENSION IN MILLIMETERS (mm)

SIZE: A4

SCALE: N/A

SHEET: 1/1

REV: A