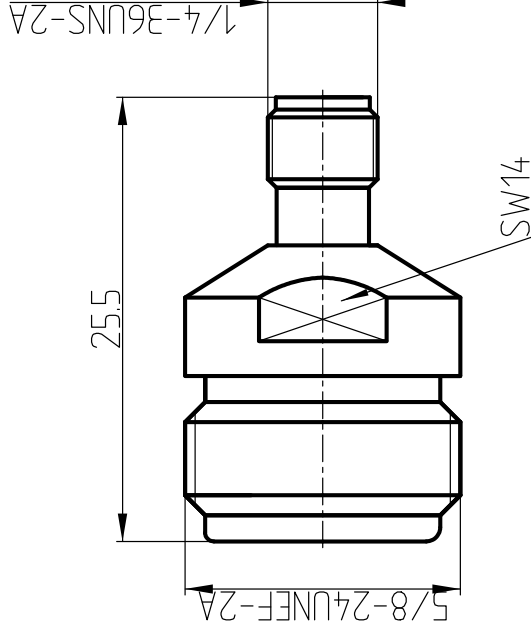


This document contains proprietary information and such information may not be disclosed to others for any purposes, not used for sales/marketing/procurement purposes without written permission

- 1 Electrical
 - 1.1 Impedence 50 Ω
 - 1.2 Frequency 0 ~ 6GHz
 - 1.3 VSWR 1:10:1
- 2 Environmental & Mechanical
 - 2.1 Temperature range -45 °C ~ 125 °C
 - 2.2 RoHS Compliant
 - 2.3 Durability > 500 cycles
- 3 Materials & plating
 - 3.1 Body: Brass, nickel plated
 - 3.2 Insulator: Teflon
 - 3.3 Contact Pin: Bronze, Gold plated



REV	DESCRIPTION OF REVISION	ECN NO.	BY	DATE	APPROVED
A	Initial Release		T. Shihua	18/7/13	18/7/13

Notes:

- 1. ALL SPECIFICATIONS ARE SUBJECT TO CHANGE NOTICE AT ANY TIME
- 2. CUSTOMER OUTLINE DRAWING FOR REFERENCE ONLY

DRAWN : T. Shihua 18/07/13

ENGINEER: C. Tao 18/07/13

APPROVED : W. Qiang 18/07/13

TOLERANCES UNLESS OTHERWISE SPECIFIED

X ±0.50

.X ±0.20

.XX ±0.10

ANGLES ±°

TITLE:

RF Coaxial Connector

N female to SMA female adaptor



www.carl.com



DIMENSION IN MILLIMETERS (mm)

SIZE: A4

SCALE: N/A

SHEET: 1/1

REV: A