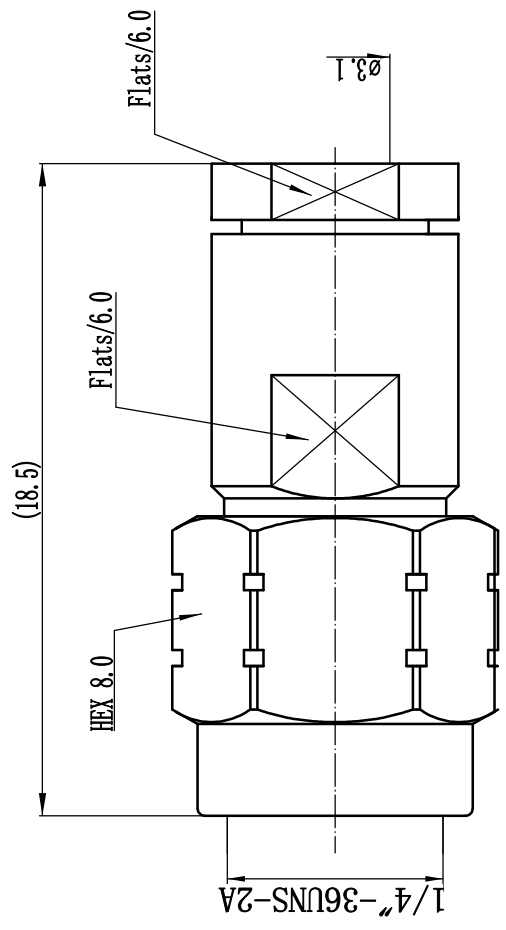


This document contains proprietary information and such information may not be disclosed to others for any purposes, not used for sales/marketing/procurement purposes without written permission

- 1 Electrical
 - 1.1 Impedance: 50 Ω
 - 1.2 Frequency: DC-40GHz
 - 1.3 VSWR: 1.25:1
- 2 Mechanical&Environmental
 - 2.1 Temperature range -45° C ~+85° C
 - 2.2 Durability(matings) >500
 - 2.3 RoHs Compliant Yes
- 3 Material&Finish
 - 3.1 Pin contact: Beryllium-Copper, gold plated
 - 3.2 Body: Stainless Steel (SU303), Passivated
 - 3.3 Insulators: PEI
- 4 Interface Standards
 - 4.1 2.92 MIL-STD-348A

Notes:
 1. ALL SPECIFICATIONS ARE SUBJECT TO CHANGE NOTICE AT ANY TIME
 2. CUSTOMER OUTLINE DRAWING FOR REFERENCE ONLY



REV	DESCRIPTION OF REVISION	ECN NO.	BY	DATE	APPROVED
A	Initial Release		T. Shihua	1/8/14	1/8/14

DRAWN: T. Shihua 1/8/14		TITLE: Precision RF Connector	
ENGINEER: C. Tao 1/8/14		www.teruliai.com	
APPROVED: W. Giang 1/8/14		DIMENSION IN MILLIMETERS (mm)	
TOLERANCES UNLESS OTHERWISE SPECIFIED		SIZE: A4	
.X ±0.50		SCALE: N/A	
.XX ±0.10		SHEET: 1/1	
ANGLES ±1°		REV: A	
PART NO: 2.92-JB3G-A		REV: A	