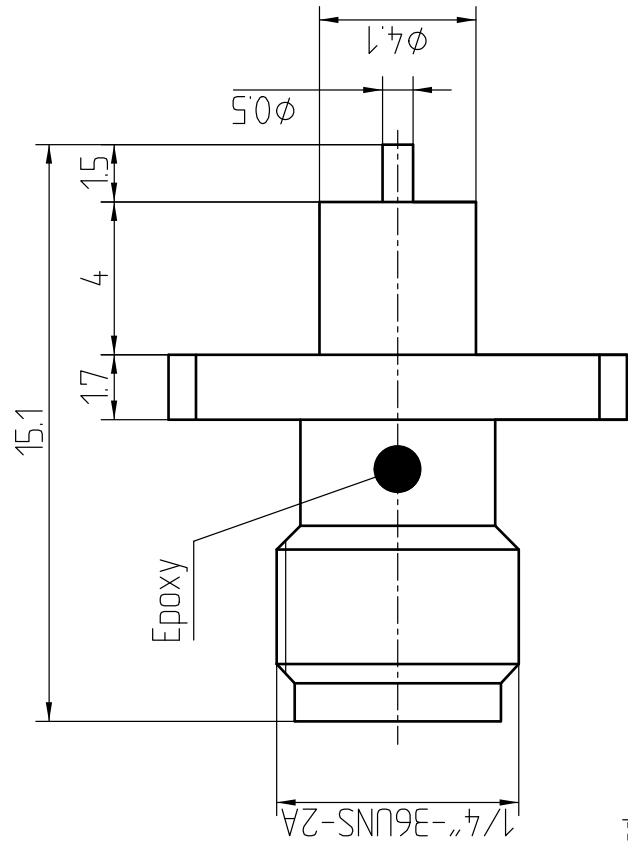


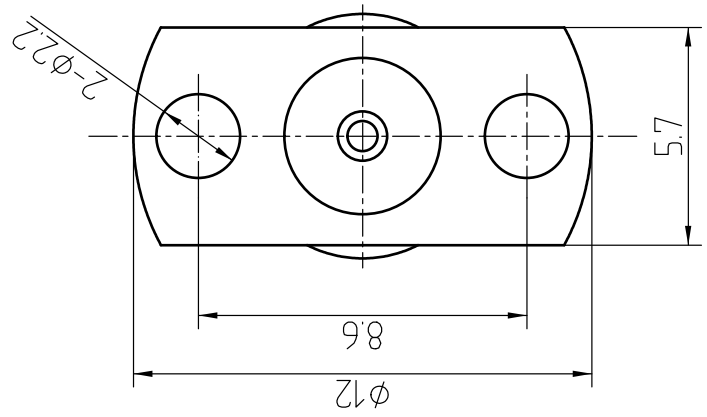
This document contains proprietary information and such information may not be disclosed to others for any purposes, not used for sales/marketing/procurement purposes without written permission

REV	DESCRIPTION OF REVISION	ECN NO.	BY	DATE	APPROVED
A	Initial Release		T. Haiyuan	15/09/17	15/09/17



1. Electrical
 - 1.1 Impedance 50 Ω
 - 1.2 Frequency DC ~ 18GHz
 - 1.3 VSWR 1:30:1
2. Environmental & Mechanical
 - 2.1 Temperature range -45 $^{\circ}$ C ~ 125 $^{\circ}$ C
 - 2.2 RoHS Compliant
 - 2.3 Durability >500 cycles

3. Materials & Plating
 - 3.1 Body: Stainless Steel, Passivated
 - 3.2 Insulator: Teflon
 - 3.3 Contact Pin: Beryllium-copper, Gold plated



1. ALL SPECIFICATIONS ARE SUBJECT TO CHANGE NOTICE AT ANY TIME
2. CUSTOMER OUTLINE DRAWING FOR REFERENCE ONLY

Notes:

DATE : T. Haiyuan 15/09/17	TITLE: RF Coaxial Connector
DRAWN : C. Tao 15/09/17	
ENGIN : W. Qiang 12/07/08	
TOLERANCES UNLESS OTHERWISE SPECIFIED	
X ± 0.50	
.X ± 0.20	
.XX ± 0.10	
ANGLES $\pm 1^{\circ}$	



www.rf-connector-china.com



DIMENSION IN MILLIMETERS (mm)

1/1

N/A

A4

SMA-KFD1048AG

SMA Flange Conn. Terminal

RF Coaxial Connector

A