

This document contains proprietary information and such information may not be disclosed to others for any purposes, not used for sales/marketing/procurement purposes without written permission

1 Electrical

- 1.1 Impedance: 50 Ω
- 1.2 Frequency: DC-40GHz
- 1.3 VSWR: 1.25:1

2 Mechanical&Environmental

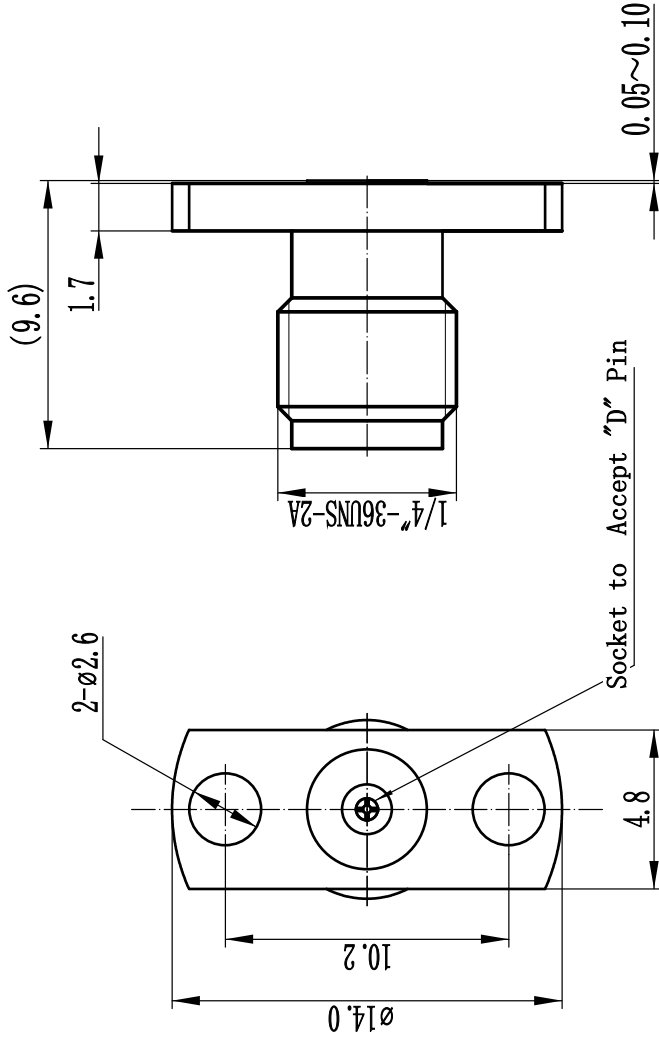
- 2.1 Temperature range -45° C ~+125° C
- 2.2 Durability(matings) >500
- 2.3 RoHs Compliant Yes

3 Material&Finish

- 3.1 Pin contact: Beryllium-Copper, gold plated
- 3.2 Body: Stainless Steel (SU303), Passivated
- 3.3 Insulators: PEI

4 Interface Standards

- 4.1 2.92 MIL-STD-348A



Part. No	∅D
ANO 2912-3052-1	∅0.23
ANO 2912-3052-2	∅0.30
ANO 2912-3052-3	∅0.51

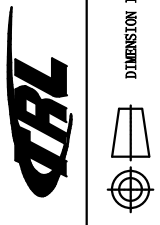
DATE	TITLE
15/11/17	T. Shihua 15/11/17
BY	DESIGNER
T. Shihua	C. Tao 15/11/17
ECN NO.	REV
	1
DESCRIPTION OF REVISION	DATE
Initial Release	15/11/17
APPROVED	DATE
15/11/17	15/11/17

DATE	TITLE
15/11/17	T. Shihua 15/11/17
BY	DESIGNER
T. Shihua	C. Tao 15/11/17
ECN NO.	REV
	1
DESCRIPTION OF REVISION	DATE
Initial Release	15/11/17
APPROVED	DATE
15/11/17	15/11/17

DATE	TITLE
15/11/17	T. Shihua 15/11/17
BY	DESIGNER
T. Shihua	C. Tao 15/11/17
ECN NO.	REV
	1
DESCRIPTION OF REVISION	DATE
Initial Release	15/11/17
APPROVED	DATE
15/11/17	15/11/17

DATE	TITLE
15/11/17	T. Shihua 15/11/17
BY	DESIGNER
T. Shihua	C. Tao 15/11/17
ECN NO.	REV
	1
DESCRIPTION OF REVISION	DATE
Initial Release	15/11/17
APPROVED	DATE
15/11/17	15/11/17

- Notes:
- 1. ALL SPECIFICATIONS ARE SUBJECT TO CHANGE NOTICE AT ANY TIME
 - 2. CUSTOMER OUTLINE DRAWING FOR REFERENCE ONLY



DIMENSION IN MILLIMETERS (mm)

DATE	1/1
BY	A
DATE	N/A
BY	A4
DATE	1/1
BY	A