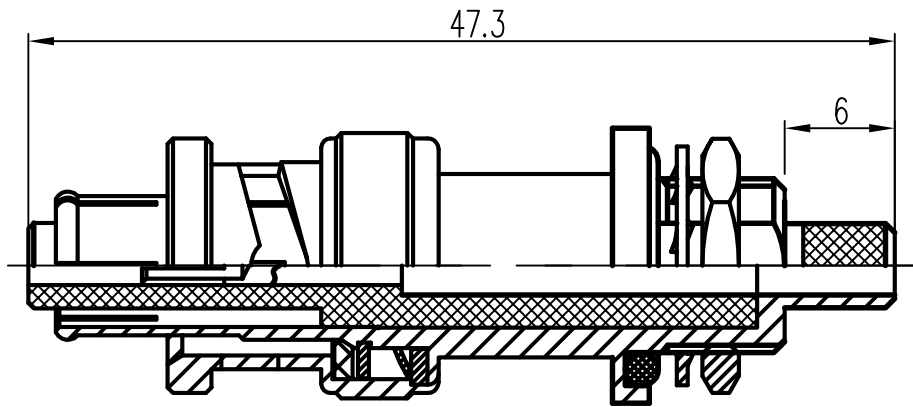


This document contains proprietary information and such information may not be disclosed to others for any purposes, nor used for sales/marketing/procurement purposes without written permission
 本文件包含专有信息，没有书面许可，该信息不能以任何形式披露给第三方，也不能用于任何目的的买卖、销售及采购。



1 Electrical

- 1.1 Impedance: 75Ω
- 1.2 Frequency: 0-0.3GHz

2 Mechanical

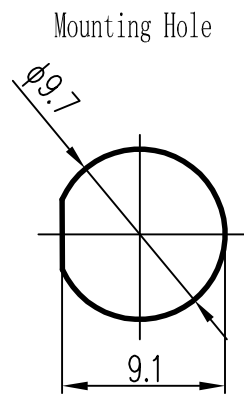
- 2.1 Center contact: solder
- 2.2 Outer contact: crimped
- 2.3 Weight: 0.018 kg
- 2.4 Suitable cable: RG59 B/U

3 Environmental

- 3.1 Operating temperature -65° to 165°
- 3.2 RoHs compliant

4 Material&Finish

- 4.1 Inner Contact: phosphor bronze, gold plated
- 4.2 Outer Contact: nickel, gold plated
- 4.3 Insulators: PTFE



FIRST ANGLE PROJECTION		SCALE	SHV-75KY6Y	UNITS	UNLESS OTHERWISE SPECIFIED DIMENSIONS ARE mm, TOLERANCES ARE FRACTIONS DECIMALS ANGLES
THIRD ANGLE PROJECTION		1:1		mm	
	NAME	DATE	SHV female B/H for RG59 cable	REV	
DRAWN	Tomson Tang	1-3-12		V1.0	
CHECKED	Magi Wang	1-3-12			
APPROVED	Teresa Shen	1-3-12	Xi'an T-rely Electronics Co.,Ltd.		