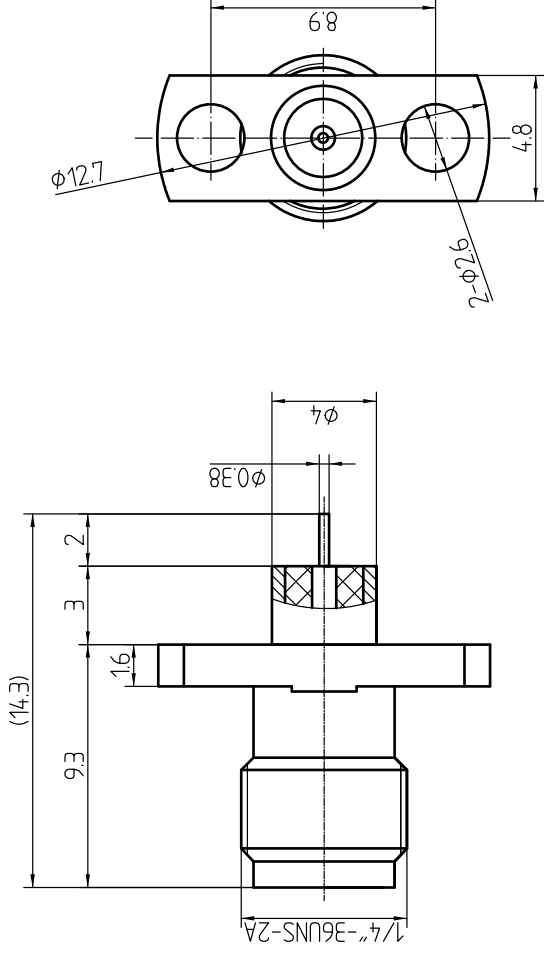


This document contains proprietary information and such information may not be disclosed to others for any purposes, not used for sales/marketing/procurement purposes without written permission

- 1 Electrical
 - 1.1 Impedance 50 Ω
 - 1.2 Frequency DC ~18GHz
 - 1.3 VSWR 1.30:1
- 2 Environmental & Mechanical
 - 2.1 Temperature range -45 $^{\circ}$ C ~125 $^{\circ}$ C
 - 2.2 RoHS Compliant
 - 2.3 Durability >500 cycles

- 3 Materials & plating
 - 3.1 Body: Stainless Steel, Passivated
 - 3.2 Insulator: Teflon
 - 3.3 Contact Pin: Beryllium-copper, Gold plated



REV	DESCRIPTION OF REVISION	ECN NO.	BY	DATE	APPROVED
A	Initial Release		T. Haiyum	15/09/17	15/09/17

Notes:

- 1. ALL SPECIFICATIONS ARE SUBJECT TO CHANGE NOTICE AT ANY TIME
- 2. CUSTOMER OUTLINE DRAWING FOR REFERENCE ONLY

DRAWN : T. Haiyum 15/09/17

ENGINEER: C. Tao 15/09/17

APPROVED : W. Qiang 12/07/08

TOLERANCES UNLESS OTHERWISE SPECIFIED
 X ±0.50
 .X ±0.20
 .XX ±0.10
 ANGLES ±°

TITLE:

RF Coaxial Connector
 SMA Female Flange Conn. Terminal

PART NO: SMA-KFD1059G



DIMENSION IN MILLIMETERS (mm)

SIZE: A4 SCALE: N/A SHEET: 1/1 DWF: A