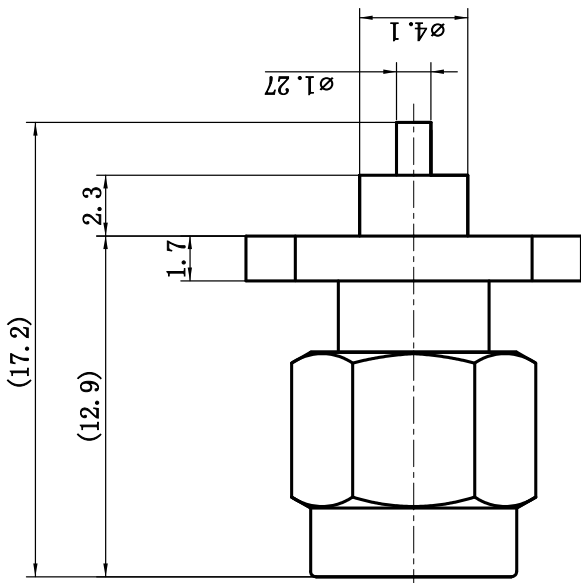


This document contains proprietary information and such information may not be disclosed to others for any purposes, not used for sales/marketing/procurement purposes without written permission

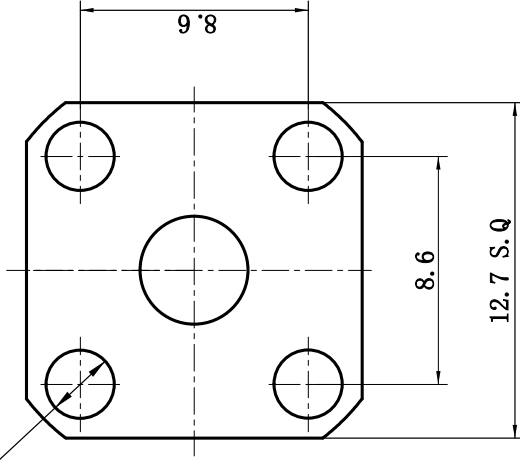


- 1 Electrical
 - 1.1 Impedance: 50 Ω
 - 1.2 Frequency: DC~18GHz
 - 1.3 VSWR: 1.25:1
- 2 Mechanical&Environmental
 - 2.1 Temperature range -45°C~+125°C
 - 2.2 Durability (matings) >500
 - 2.3 RoHS Compliant
- 3 Material&Finish
 - 3.1 Pin contact: Brass, gold plated
 - 3.2 Body: Stainless Steel, Passivated
 - 3.3 Insulators: PTFE
- 4 Interface Standards
 - 4.1 SMA MIL-STD-348A

Notes:

- 1. ALL SPECIFICATIONS ARE SUBJECT TO CHANGE NOTICE AT ANY TIME
- 2. CUSTOMER OUTLINE DRAWING FOR REFERENCE ONLY

4-Ø2.6



REV	DESCRIPTION OF REVISION	ECN NO.	BY	DATE	APPROVED
A	Initial Release		T. Haiyum	04/02/17	04/02/17

DRAW : T. Haiyum 04/02/17		TITLE: RF Coaxial Connector	
ENGINEER: C. Tao 04/02/17		SMA Male Flange Connector	
APPROVED : W. Qiang 04/02/17		SMA Mount Connector	
TOLERANCES UNLESS OTHERWISE SPECIFIED		DIMENSION IN MILLIMETERS (mm)	
X	±0.20	SIZE: A4	SCALE: N/A
.XX	±0.010		
ANGLES ±1°		SHEET: 1/1	REV: A

