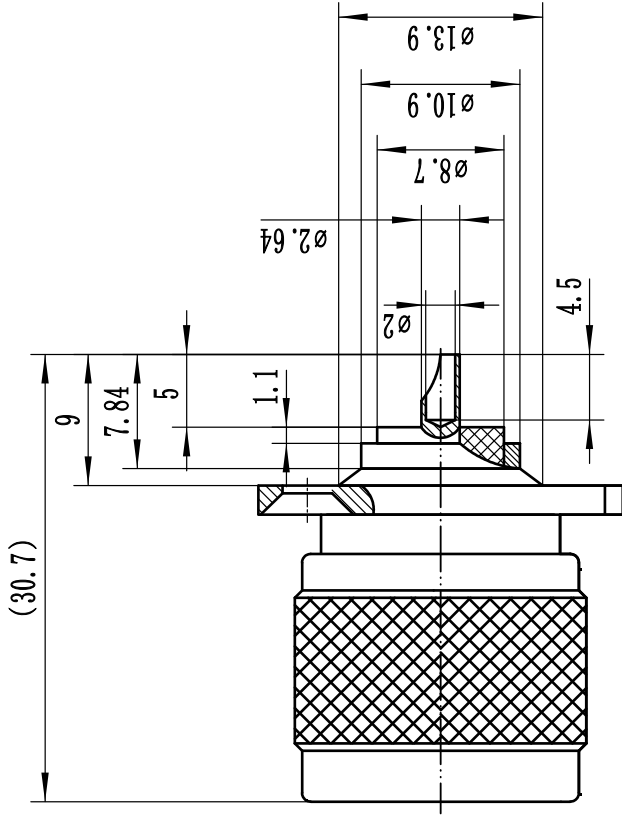


This document contains proprietary information and such information may not be disclosed to others for any purposes, not used for sales/marketing/procurement purposes without written permission

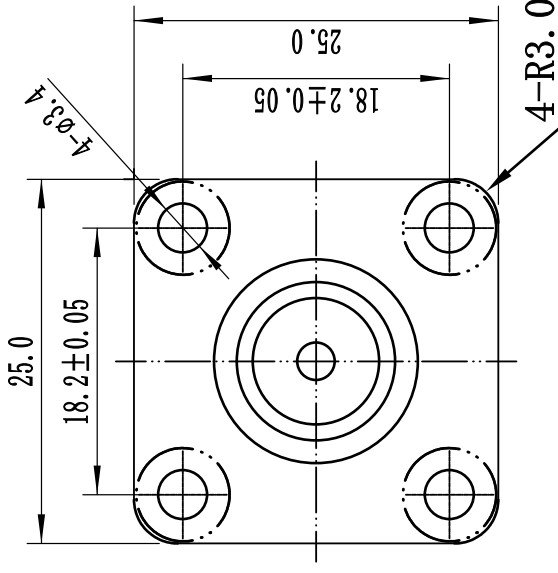


1 Electrical

- 1.1 Impedance: 50 Ω
- 1.2 Frequency: DC~11GHz
- 1.3 VSWR: ≤ 1.25:1@6GHz
- 1.4 Insulation resistance: ≥ 5000M Ω
- 1.5 Dielectric strength: 1500V
- 1.6 Contact resistance
 - Center contact ≤ 1.5M Ω
 - Outer contact ≤ 0.2M Ω

2 Materials&Finish

- 2.1 Inner Contact: Brass, Gold plated
- 2.2 Outer Contact: Brass, Nickel-plated
- 2.3 Insulators: PTFE



REV	DESCRIPTION OF REVISION	TEL NO.	BY	DATE	APPROVED
A	Initial Release		T. Shihua	16/02/2022	16/02/2022

Notes:

- 1. ALL SPECIFICATIONS ARE SUBJECT TO CHANGE NOTICE AT ANY TIME
- 2. CUSTOMER OUTLINE DRAWING FOR REFERENCE ONLY

DRAWN:	T. Shihua	16/02/2022
ENGINEER:	C. Tao	16/02/2022
APPROVED:	W. Qiang	16/02/2022
TOLERANCES UNLESS OTHERWISE SPECIFIED		
X	±0.50	
.X	±0.20	
.XX	±0.10	
ANGLES	±1°	

TITLE	
RF Coaxial Connector	
N PRESS MOUNT RECEPTACLE PLUG	
PART NO:	N-JFD122



www.f-conradt-china.com



DIMENSION IN MILLIMETERS (mm)

SIZE:	A4	SCALE:	2:1	SHEET:	1/1	REV:	VA
-------	----	--------	-----	--------	-----	------	----