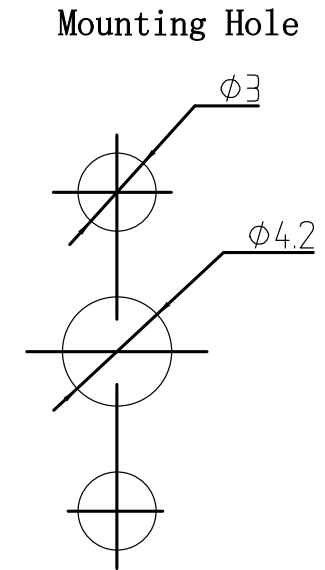
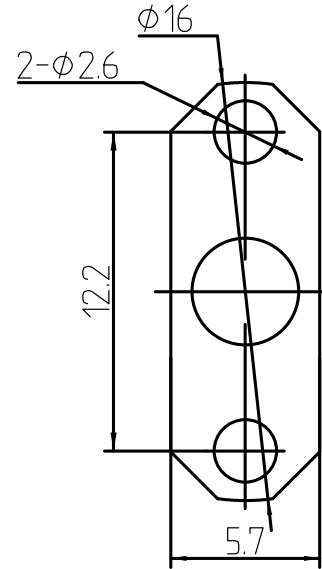
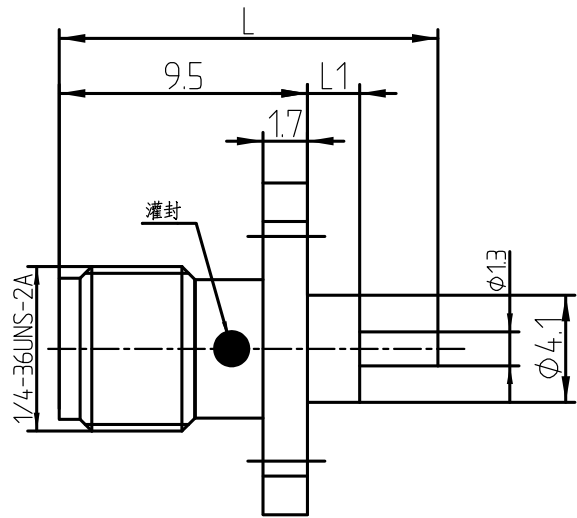


This document contains proprietary information and such information may not be disclosed to others for any purposes, not used for sales/marketing/procurement purposes without written permission

REV	DESCRIPTION OF REVISION	ECN NO.	BY	DATE	APPROVED
A	Initial Release	—	T. Haiyun	15/09/17	15/09/17



1 Electrical

- 1.1 Impedance 50 Ω
- 1.2 Frequency DC ~6GHz
- 1.2 Dielectric withstanding voltage 1000V(volts RMS)
- 1.3 Center contact resistance ≤ 3MΩ
- 1.4 Outer contact resistance ≤ 2MΩ
- 1.5 Insulation resistance: ≥5000MΩ
- 1.6 VSWR 1.2max



2 Environmental&Mechanical

- 2.1 Temperature range -45℃~85℃
- 2.2 RoHs Compliant
- 2.3 Durability >500 cycles

3 Materials&plating

- 3.1 Body: Brass, Gold plated
- 3.2 Insulator: Teflon
- 3.3 Contact Pin: Bronze, Gold plated

L	L1	P/N
14.5	2	SMA-KFD21A
15.5	3	SMA-KFD84
16.5	4	SMA-KFD46C
17.5	5	SMA-KFD1010
18.5	6	SMA-KFD198A
19.5	7	SMA-KFD1014
20.5	8	SMA-KFD1015
21.5	9	SMA-KFD1016
22.5	10	SMA-KFD1017
23.5	11	SMA-KFD1018
24.5	12	SMA-KFD1019
27.5	15	SMA-KFD1020

DRAWN : T. Haiyun 15/09/17 ENGINEER: C. Tao 15/09/17 APPROVED : W. Qiang 12/07/08 TOLERANCES UNLESS OTHERWISE SPECIFIED X ±0.50 .X ±0.20 .XX ±0.10 ANGLES ±1°	TITLE: RF Coaxial Connector SMA Female Flange Conn. Terminal PART NO:	 www.trl-rf.com  DIMENSION IN MILLIMETERS (mm)	SIZE: A4 SCALE: N/A SHEET: 1/1 REV: A
--	--	--	--

Notes:

- 1. ALL SPECIFICATIONS ARE SUBJECT TO CHANGE NOTICE AT ANY TIME
- 2. CUSTOMER OUTLINE DRAWING FOR REFERENCE ONLY