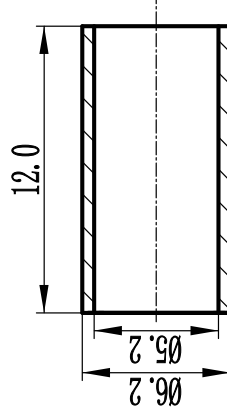
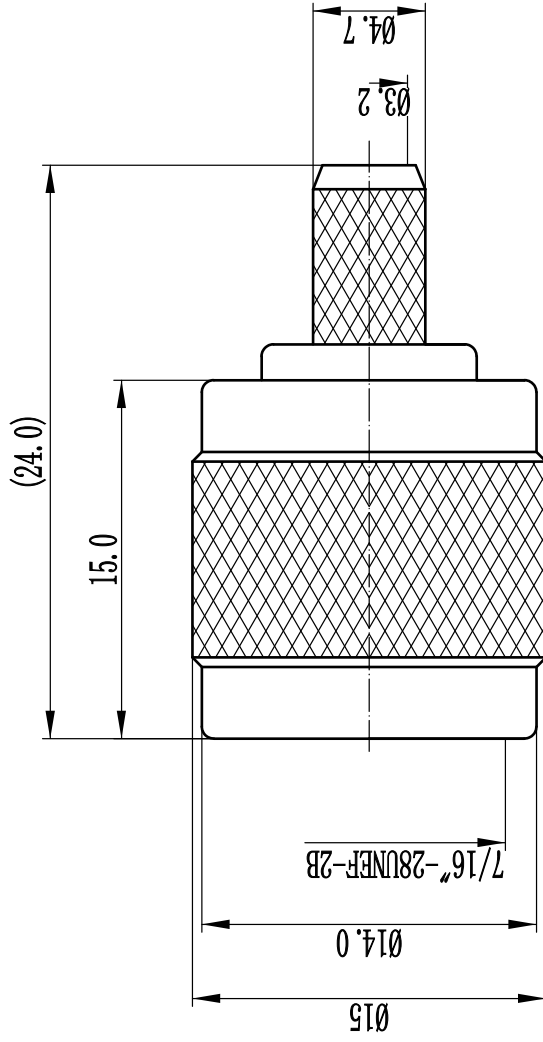


This document contains proprietary information and such information may not be disclosed to others for any purposes, not used for sales/marketing/procurement purposes without written permission

- 1 Electrical
 - 1.1 Impedence 50 Ω
 - 1.2 Frequency DC ~ 6GHz
 - 1.3 Dielectric withstanding voltage 1500V (volts RMS)
 - 1.4 Center contact resistance $\leq 15M\Omega$
 - 1.5 Outer contact resistance $\leq 0.2M\Omega$
 - 1.6 Insulation resistance: $\geq 5000M\Omega$
- 2 Environmental & Mechanical
 - 2.1 Temperature range -45 $^{\circ}$ C ~ +125 $^{\circ}$ C
 - 2.2 RoHS Compliant
 - 2.3 Durability > 500 cycles

- 3 Materials & plating
 - 3.1 Body: Brass, Nickel plated
 - 3.2 Insulator: Teflon
 - 3.3 Contact Pin: Brass, Gold plated
 - 3.4 Coupling Nut: Brass, Nickel plated
 - 3.5 Gasket: Silicon Rubber (red color)



REV	DESCRIPTION OF REVISION	ECN NO.	BY	DATE	APPROVED
A	Initial Release		T. Haiyum	21/05/08	21/05/08

Notes:

1. ALL SPECIFICATIONS ARE SUBJECT TO CHANGE NOTICE AT ANY TIME
2. CUSTOMER OUTLINE DRAWING FOR REFERENCE ONLY

DRAWN : T. Haiyum 21/05/08
ENGINEER : C. Tao 21/05/08
APPROVED : W. Qi Tang 21/05/08
TOLERANCES UNLESS OTHERWISE SPECIFIED X ± 0.50 .X ± 0.20 .XX ± 0.10 ANGLES $\neq 90^{\circ}$

TITLE:	RF Coaxial Connector
TNC Male Conn. for RG58 Cable Crimp	
PART NO:	TNC-J51A



www.qrl.com



DIMENSION IN MILLIMETERS (mm)

SIZE: A4	SCALE: N/A	SHEET: 1/1	REV: A
----------	------------	------------	--------