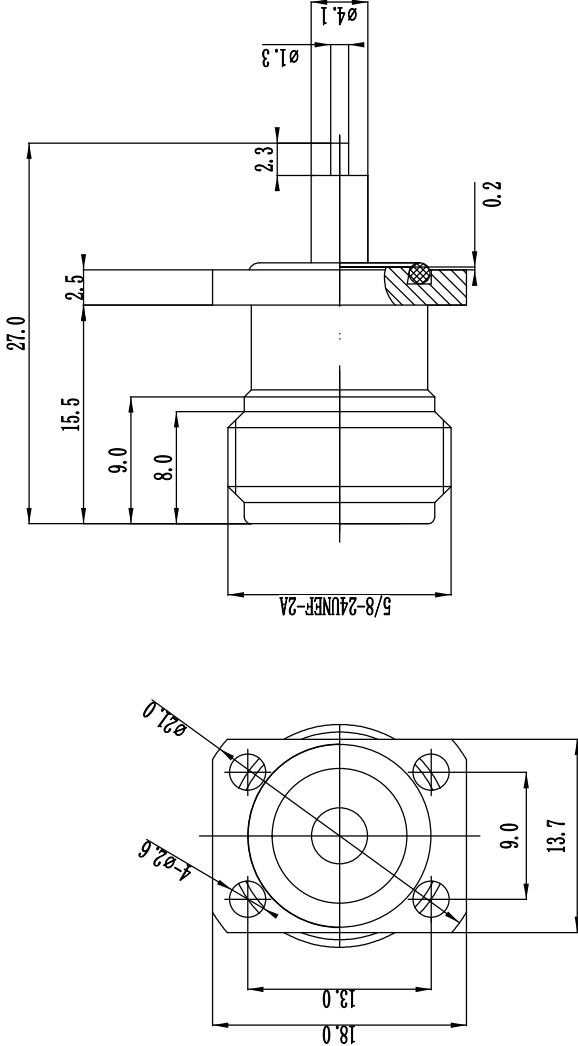


This document contains proprietary information and such information may not be disclosed to others for any purposes, not used for sales/marketing/procurement purposes without written permission

- 1. Electrical
 - 1.1 Impedance 50 Ω
 - 1.2 Frequency 0~11GHz
 - 1.3 Dielectric withstanding voltage 1500V (volts RMS)
 - 1.4 Center contact resistance $\leq 1M\Omega$
 - 1.5 Outer contact resistance $\leq 0.2M\Omega$
 - 1.6 Insulation resistance: $\geq 5000M\Omega$
 - 1.7 V. S. W. R 1.25@6GHz
- 2. Environmental/Mechanical
 - 2.1 Temperature range -55℃~155℃
 - 2.2 RoHS Compliant
 - 2.3 Durability >500 cycles
- 3. Materials/Plating
 - 3.1 Body: Brass, nickel plated
 - 3.2 Insulator: Teflon
 - 3.3 Contact Pin: Bronze, Gold plated



REV	DESCRIPTION OF REVISION	ECN NO.	BY	DATE	APPROVED
A	Initial Release		T. Shihua	18/7/13	18/7/13

DRAWN: T. Shihua 18/07/13	TITLE: RF Coaxial Connector	SIZE: A4	SCALE: N/A	SHEET: 1/1	REV: A
ENGINEER: C. Tao 18/07/13	N female Flange Conn. Terminal	DIMENSION IN MILLIMETERS (mm)			
APPROVED: W. Qiang 18/07/13		www.rf-connector-china.com			
TOLERANCES UNLESS OTHERWISE SPECIFIED					
X		±0.50			
.X		±0.20			
.XX		±0.10			
ANGLES ±1°					

Notes:
 1. ALL SPECIFICATIONS ARE SUBJECT TO CHANGE NOTICE AT ANY TIME
 2. CUSTOMER OUTLINE DRAWING FOR REFERENCE ONLY