

This document contains proprietary information and such information may not be disclosed to others for any purposes, not used for sales/marketing/procurement purposes without written permission

REV	DESCRIPTION OF REVISION	ECN NO.	BY	DATE	APPROVED
A	Initial Release	—	T.Shihua	21/11/14	21/11/14

1 Electrical

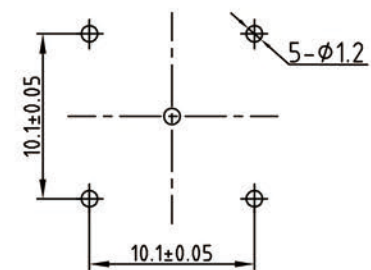
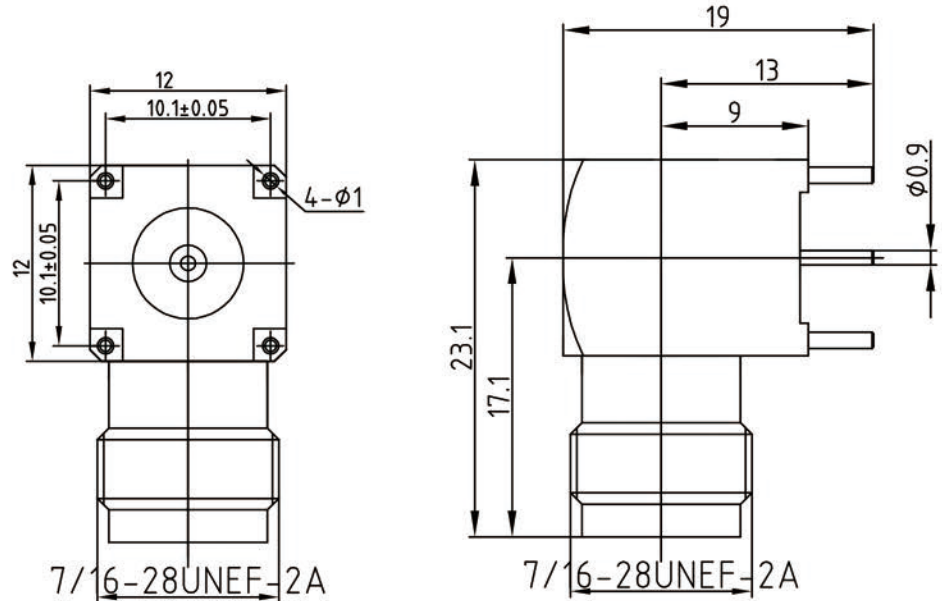
- 1.1 Impedance 50Ω
- 1.2 Frequency 0~6GHz
- 1.3 Dielectric withstanding voltage 1500V(volts RMS)
- 1.4 Center contact resistance ≤ 1.5MΩ
- 1.5 Outer contact resistance ≤ 0.2MΩ
- 1.6 Insulation resistance: ≥5000MΩ

2 Environmental&Mechanical

- 2.1 Temperature range -55℃~155℃
- 2.2 RoHs Compliant
- 2.3 Durability >500 cycles



3 Materials&plating

- 3.1 Body: Brass, nickel plating
- 3.2 Insulator: Teflon
- 3.3 Contact Pin: Phosphor bronze, gold plating
- 3.6 Ferrule: copper, nickel plating



Notes:

- 1. ALL SPECIFICATIONS ARE SUBJECT TO CHANGE NOTICE AT ANY TIME
- 2. CUSTOMER OUTLINE DRAWING FOR REFERENCE ONLY

DRAWN: T.Shihua 21/11/14	TITLE:	 www.rf-connector-china.com
ENGINEER: C.Tao 21/11/14	TNC-KWHD	
APPROVED: W.Qiang 21/11/14	TNC female R/A Conn. for PCB	
TOLERANCES UNLESS OTHERWISE SPECIFIED X ±0.50 .X ±0.20 .XX ±0.10 ANGLES ±1°		 DIMENSION IN MILLIMETERS (mm)
PART NO: TRL-TNCF-891026		SIZE: A4 SCALE: N/A SHEET: 1/1 REV: A