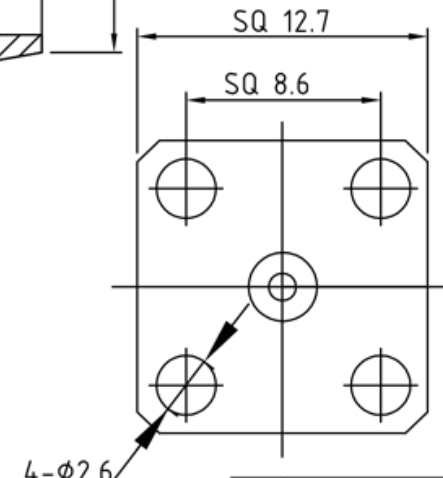
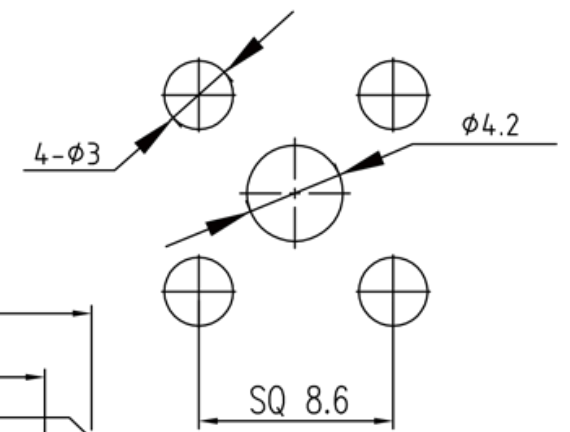


REVISION		
REV	DESCRIPTION	DATE

Mounting Hole



Electrical Characteristics

Impedance	50Ω
Frequency	0~18GHz
Dielectric withstanding voltage	750V(rms)
Center contact resistance	≤3 MΩ
Outer contact resistance	≤2 MΩ
Insulation resistance:	≥5000 MΩ

Mechanical Characteristics

Durability	500 cycles
------------	------------

3	INSULATOR	1	TEFLON		
2	CONTACT	1	BeCu	Gold Plated	
1	BODY	1	S.S.	Passivated	
No.	Description	Qty.	Material	Finish	Notes

CUSTOMER	DATE: Apr-2-12	T-rely Electronics			
CUSTOMER CODE	APPROVED Mike Ding	TITLE JBMA-JF D10G			
	CHECKED David Fu				
	DRAWN Tomson Tang				
	SCALE 3:1	UNIT mm	WEIGHT —	A4	DWG NO.: TRL110629E
					SHEET: 1:1

