

This document contains proprietary information and such information may not be disclosed to others for any purposes, not used for sales/marketing/procurement purposes without written permission

REV	DESCRIPTION OF REVISION	ECN NO.	BY	DATE	APPROVED
A	Initial Release	—	T.Haiyun	21/05/08	21/05/08

1 Electrical

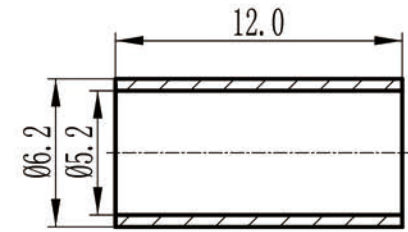
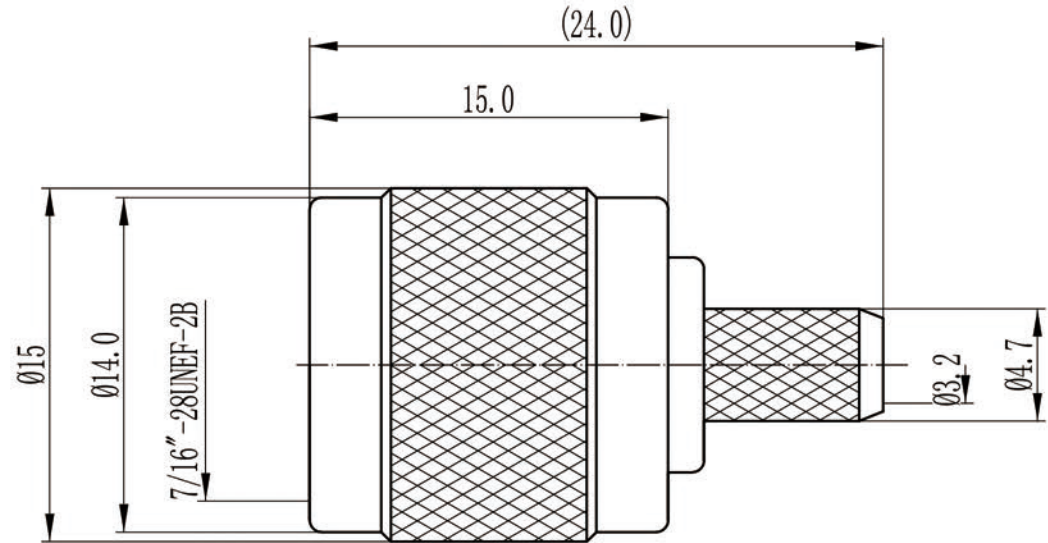
- 1.1 Impedance: 50 Ω
- 1.2 Frequency: DC ~6GHz
- 1.3 Dielectric withstanding voltage: 1500V(volts RMS)
- 1.4 Center contact resistance: ≤ 15MΩ
- 1.5 Outer contact resistance: ≤ 0.2MΩ
- 1.6 Insulation resistance: ≥5000MΩ

2 Environmental&Mechanical

- 2.1 Temperature range: -45℃ ~+125℃
- 2.2 RoHs Compliant
- 2.3 Durability: >500 cycles



3 Materials&plating

- 3.1 Body: Brass; Nickel plated
- 3.2 Insulator: Teflon
- 3.3 Contact Pin: Brass, Gold plated
- 3.4 Coupling Nut: Brass, Nickel plated
- 3.5 Gasket: Silicon Rubber ( red color)



Notes:

- 1. ALL SPECIFICATIONS ARE SUBJECT TO CHANGE NOTICE AT ANY TIME
- 2. CUSTOMER OUTLINE DRAWING FOR REFERENCE ONLY

DRAWN : T.Haiyun 21/05/08 ENGINEER: C.Tao 21/05/08 APPROVED : W.Qiang 21/05/08 TOLERANCES UNLESS OTHERWISE SPECIFIED X +0.50 X +0.20 XX +0.10 ANGLES ±1°	TITLE: RF Coaxial Connector TNC Male Conn. for RG58 Cable Crimp PART NO: TNC-J5YA	 <a href="http://www.rf-connector-china.com">www.rf-connector-china.com</a>  DIMENSION IN MILLIMETERS (mm)	
SIZE: A4	SCALE: N/A	SHEET: 1/1	REV: A