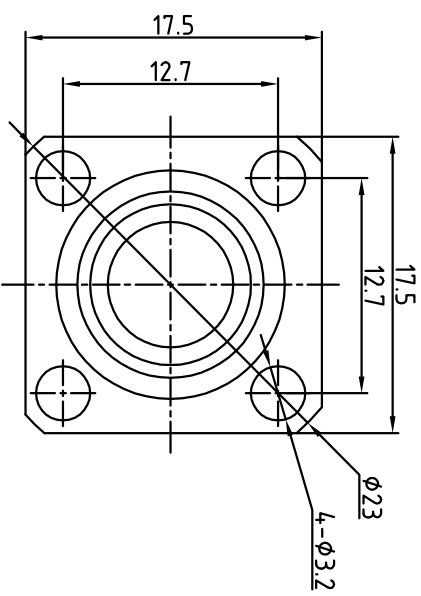
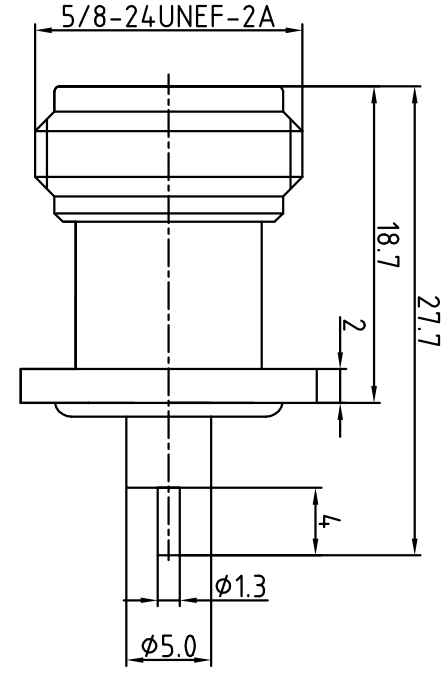


This document contains proprietary information and such information may not be disclosed to others for any purposes, not used for sales/marketing/procurement purposes without written permission

REV	DESCRIPTION OF REVISION	ECN NO.	BY	DATE	APPROVED
A	Initial Release		T.Shihua	28/04/15	28/04/15



- 1 Electrical
- 1.1 Impedance: 50Ω
  - 1.2 Frequency: DC-11GHz
  - 1.3 Dielectric withstanding voltage: 1500V(volts RMS)
  - 1.4 Center contact resistance: ≤ 1MΩ
  - 1.5 Outer contact resistance: ≤ 0.2MΩ
  - 1.6 Insulation resistance: ≥ 5000MΩ

- 2 Environmental&Mechanical
- 2.1 Temperature range: -55℃~155℃
  - 2.2 RoHS Compliant
  - 2.3 Durability: >500 cycles

- 3 Materials&Finish
- 3.1 Body: Brass, Nickel plated
  - 3.2 Insulator: Teflon
  - 3.3 Contact Pin: Bronze, silver plated

Notes:

- 1. ALL SPECIFICATIONS ARE SUBJECT TO CHANGE NOTICE AT ANY TIME
- 2. CUSTOMER OUTLINE DRAWING FOR REFERENCE ONLY

DRAWN: T.Shihua 28/04/15	TITLE: N-KRPD94	 DIMENSION IN MILLIMETERS (mm)
ENGINEER: C.Too 28/04/15	N Female Straight Flange Conn. Terminal	
APPROVED: W.Qiang 28/04/15	PART NO: TRL-NF-587623	SIZE: A4
TOLERANCES UNLESS OTHERWISE SPECIFIED		SCALE: N/A
X ±0.30		SHEET: 1/1
X ±0.20		REV: A
XX ±0.10		
ANGLES 5°		

