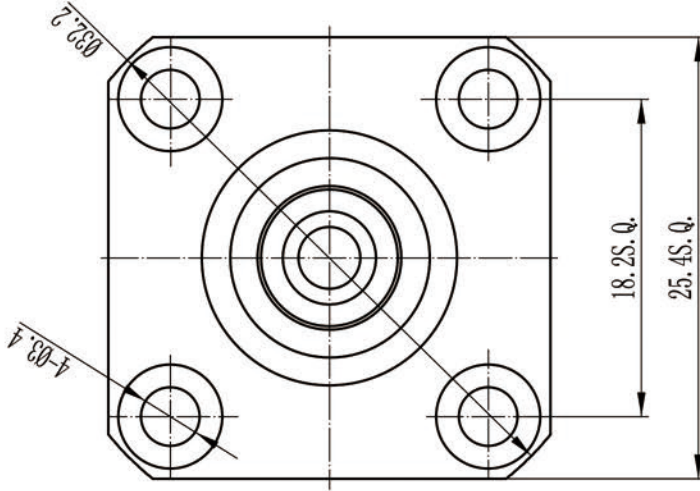
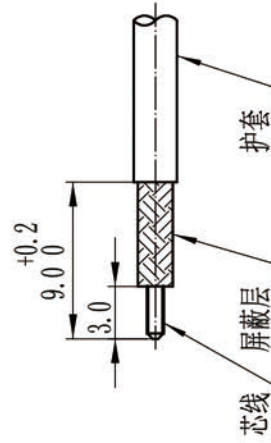
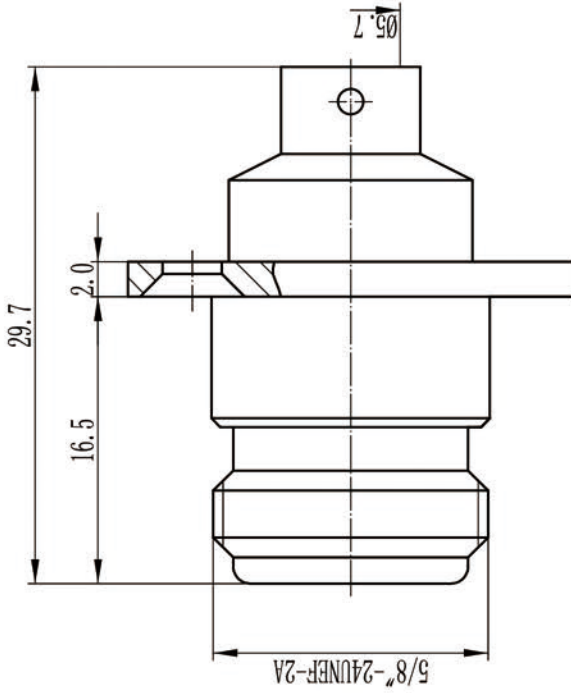


This document contains proprietary information and such information may not be disclosed to others for any purposes, not used for sales/marketing/procurement purposes without written permission

REV	DESCRIPTION OF REVISION	ECN NO.	BY	DATE	APPROVED
A	Initial Release		T. Shihua	8/05/14	8/05/14
B	New Release		T. Shihua	13/05/14	13/05/14



- 1 Electrical**
- 1.1 Impedance: 50 Ω
 - 1.2 Frequency: DC-7GHz
 - 1.3 Dielectric withstanding voltage: 1500V(volts RMS)
 - 1.4 Center contact resistance: ≤ 1MΩ
 - 1.5 Outer contact resistance: ≤ 0.2MΩ
 - 1.6 Insulation resistance: ≥5000MΩ

- 2 Environmental&Mechanical**
- 2.1 Temperature range: -45℃~85℃
 - 2.2 RoHS Compliant
 - 2.3 Durability: >500 cycles

- 3 Materials&Finish**
- 3.1 Body: Brass, Nickel plated
 - 3.2 Insulator: Teflon
 - 3.3 Contact Pin: Bronze, silver plated

Notes:

- 1. ALL SPECIFICATIONS ARE SUBJECT TO CHANGE NOTICE AT ANY TIME
- 2. CUSTOMER OUTLINE DRAWING FOR REFERENCE ONLY

DRAWN: T. Shihua 8/05/14
ENGINEER: C. Tao 8/05/14
APPROVED: W. Qiang 8/05/14
TOLERANCES UNLESS OTHERWISE SPECIFIED
X ±0.50
X ±0.20
XX ±0.10
ANGLES ±1°

TITLE:
 RF Coaxial Connector
 N Female Flange Connector
 For 5D-FB Cable



PART NO: N-KF85D-FB	SCALE: N/M	SHEET: 1/1	REV: B
SIZE: A4			

DIMENSION IN MILLIMETERS (mm)