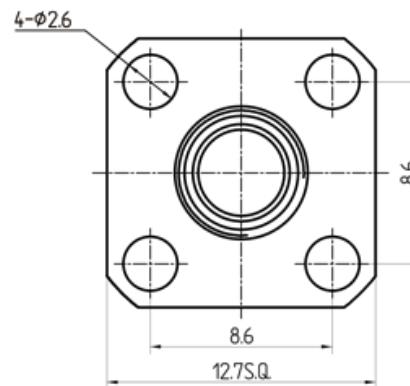
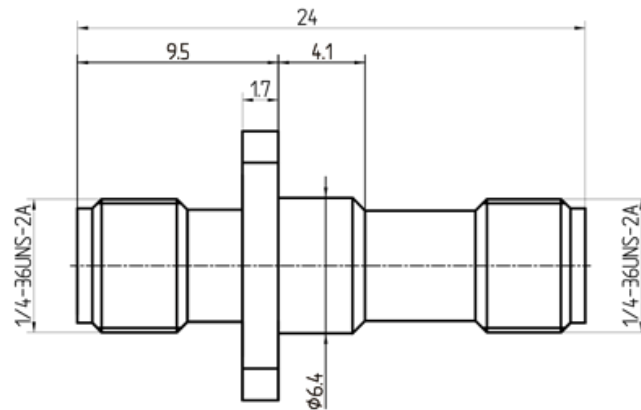


This document contains proprietary information and such information may not be disclosed to others for any purposes, not used for sales/marketing/procurement purposes without written permission

REV	DESCRIPTION OF REVISION	ECN NO.	BY	DATE	APPROVED
A	Initial Release	—	T. Shihua	16/6/15	16/6/15



1 Electrical data

- 1.1 Impedance: 50 Ω
- 1.2 Frequency: DC-6GHz
- 1.3 VSWR 1.20:1

2 Mechanical data



- 2.1 Temperature range -45°C ~+125°C
- 2.2 Durability(matings) >500

3 Material&Finish

- 3.1 Pin contact: Beryllium-copper, Gold plated
- 3.2 Body: Brass, gold-plated
- 3.3 Insulators: PTFE

Notes:

- 1. ALL SPECIFICATIONS ARE SUBJECT TO CHANGE NOTICE AT ANY TIME
- 2. CUSTOMER OUTLINE DRAWING FOR REFERENCE ONLY

DRAWN: T. Shihua 16/6/15 ENGINEER: C. Tao 16/6/15 APPROVED: W. Qiang 16/6/15 TOLERANCES UNLESS OTHERWISE SPECIFIED X ±0.50 .X ±0.20 .XX ±0.10 ANGLES ±1°	TITLE: RF Adaptor SMA Female to Female Flange Adaptor	 www.rf-connector-china.com  DIMENSION IN MILLIMETERS (mm)
PART NO: SMA-KFN	SIZE: A4 SCALE: N/A SHEET: 1/1 REV: A	