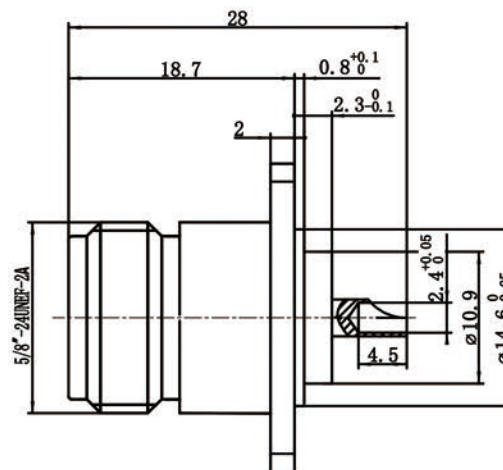
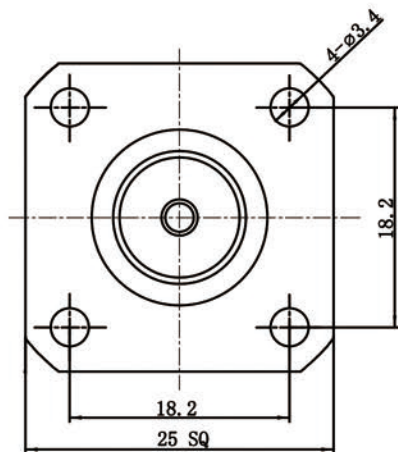


This document contains proprietary information and such information may not be disclosed to others for any purposes, not used for sales/marketing/procurement purposes without written permission

REV	DESCRIPTION OF REVISION	TRL NO.	BY	DATE	APPROVED
A	Initial Release	—	T. Shihua	18/7/08	18/7/08



1 Electrical

1.1 Impedence	50 Ω
1.2 Frequency	DC~2GHz
1.2 Dielectric withstanding voltage	1500V (volts RMS)
1.3 Center contact resistance	≤ 1M Ω
1.4 Outer contact resistance	≤ 0.2M Ω
1.5 Insulation resistance:	≥ 5000M Ω
1.6 VSWR	1.15:1

2 Environmental&Mechanical



2.1 Temperature range	-40℃~+125℃
2.2 RoHs Compliant	
2.3 Durability	>500 cycles

3 Materials&plating

3.1 Body:	Brass, Tri-Metal plated
3.2 Insulator:	Teflon
3.3 Contact Pin:	Beryllium-copper, Gold plated

Notes:

- ALL SPECIFICATIONS ARE SUBJECT TO CHANGE NOTICE AT ANY TIME
- CUSTOMER OUTLINE DRAWING FOR REFERENCE ONLY

DRAWN: T. Shihua 18/7/08	TITLE: RF Coaxial Connector N Female Connector Flange Mounting	 www.rf-connector-china.com			
ENGINEER: C. Tao 18/7/08					
APPROVED: W. Qiang 18/7/08		 DIMENSION IN MILLIMETERS (mm)			
TOLERANCES UNLESS OTHERWISE SPECIFIED	PART NO: N-50KF-B	SIZE: A4	SCALE: N/A	SHEET: 1/1	REV: A
X ±0.50					
.X ±0.20					
.XX ±0.10					
ANGLES ±1°					