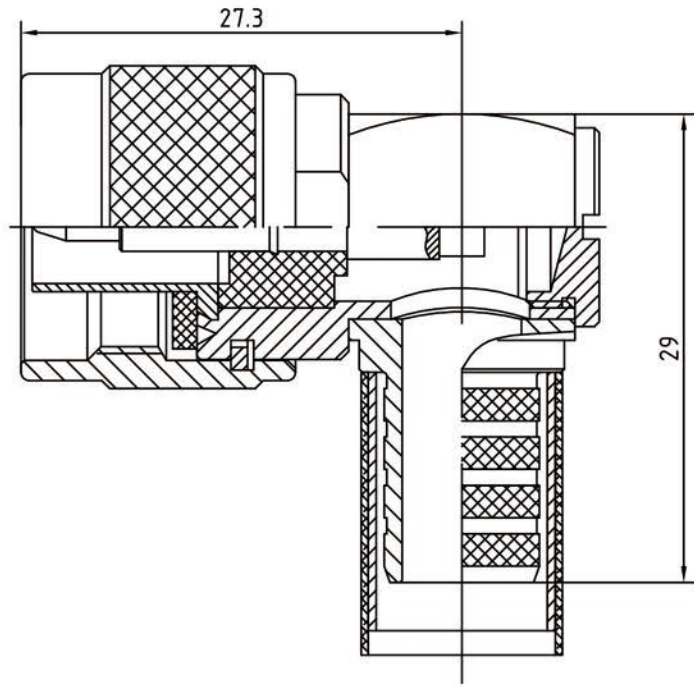


A



B

### Electrical characteristics

- 1. Impedance: 50Ω
- 2. Frequency: 0-11GHz
- 3. VSWR ≤ 1.3
- 4. Insulation resistance: ≥5000MΩ
- 5. Dielectric strength: 1500V
- 6. Contact resistance
  - Center contact ≤ 1MΩ
  - Outer contact ≤ 0.2MΩ

C

### Material&Finish

- 1. Inner Contact: Brass, gold plated
- 2. Outer Contact: Brass, Nickel plated
- 3. Insulators: PTFE

D

		Scale 1:1		N-JW7Y N Male R/A Conn for LMR400	UNLESS OTHERWISE SPECIFIED DIMENSIONS ARE mm, TOLERANCES ARE: FRACTIONS    DECIMALS    ANGLES .X± .15    ±1° .XX± .05 .XXX±
No		Name	Date		
1	Designed	Mike Wang	15-May-07		
2	Checked	Michael Tang	15-May-07		
3	Approved	Magi Wang	15-May-07		

