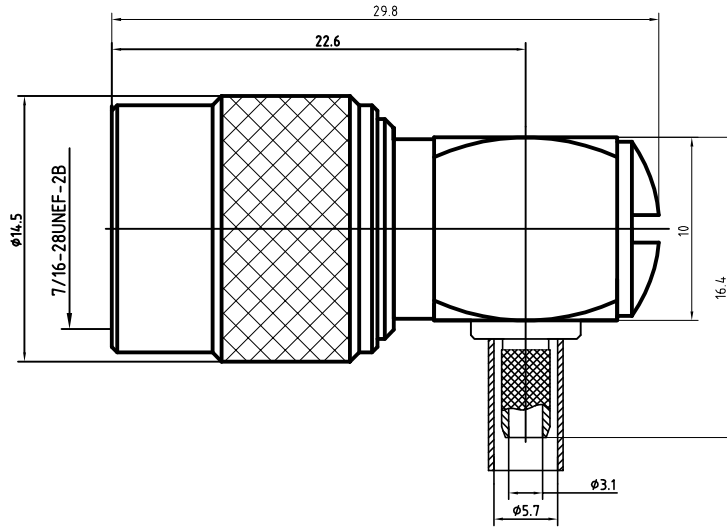


This document contains proprietary information and such information may not be disclosed to others for any purposes, nor used for sales/marketing/procurement purposes without written permission.
 本文件包含专有信息，没有书面许可，该信息不能以任何形式披露给第三方，也不能用于任何目的的买卖、销售及采购。



1 Electrical

- 1.1 Impedance: 50Ω
- 1.2 Working voltage: $\leq 500V$
- 1.3 Insulation resistance: $\geq 5000M\Omega$
- 1.4 Dielectric strength: $1500V$
- 1.5 Contact resistance
 - Center contact $\leq 1.5M\Omega$
 - Outer contact $\leq 0.2M\Omega$

2 Material&Finish

- 2.1 Inner Contact: gold plated over Brass
- 2.2 Outer Contact: nickel plated over brass.
- 2.3 Insulators: Teflon

FIRST ANGLE PROJECTION		SCALE	TNC-JW5Y	UNITS	UNLESS OTHERWISE SPECIFIED DIMENSIONS ARE mm, TOLERANCES ARE: FRACTIONS DECIMALS ANGLES
THIRD ANGLE PROJECTION		2:1		mm	
	NAME	DATE	TNC male R/A for LMR200 Cable	REV	.X± .20 ±1°
DRAWN	Tomson Tang	26-08-13		V1.0	.XX± .10
CHECKED	Magi Wang	26-08-13			.XXX±
APPROVED	Teresa Shen	26-08-13			
			Xi'an T-rely Electronics Co.,Ltd.		