

This document contains proprietary information and such information may not be disclosed to others for any purposes, not used for sales/marketing/procurement purposes without written permission

REV	DESCRIPTION OF REVISION	ECN NO.	BY	DATE	APPROVED
A	Initial Release		T.Shihua	12/7/13	12/7/13

**1 Electrical**

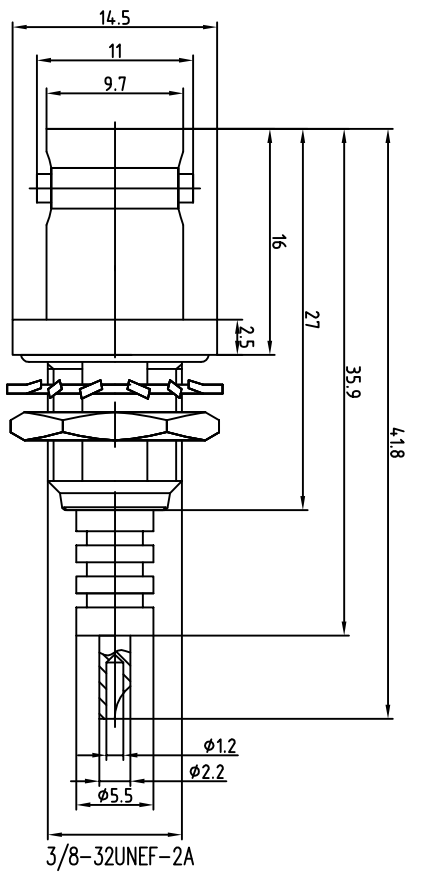
- 1.1 Impedance 50Ω
- 1.2 Frequency DC-300MHz
- 1.3 Dielectric withstanding voltage 5KV rms,
- 1.4 Working voltage( at sea level) 1.6KV rms,
- 1.5 Insulation resistance  $\geq 5000 \cdot 10^3 M\Omega$
- 1.3 Center contact resistance  $\leq 2m\Omega$
- 1.4 Outer contact resistance  $\leq 1m\Omega$
- 1.5 Corona extinction voltage  $\geq 300V$  rms
- 1.9 Current rating continuous  $\leq 10A$

**2 Environmental&Mechanical**

- 2.1 Temperature range -55℃~155℃
- 2.2 Rohs Compliant
- 2.3 Durability >500 cycles

**3 Materials&Finish**

- 3.1 Body: Brass, Nickel plated
- 3.2 Insulator: Teflon
- 3.3 Contact Pin: Phosphor bronze, gold plated
- 3.4 Washer: Beryllium, nickel plated
- 3.5 Nut: copper, nickel plated



**Notes:**

- 1. ALL SPECIFICATIONS ARE SUBJECT TO CHANGE NOTICE AT ANY TIME
- 2. CUSTOMER OUTLINE DRAWING FOR REFERENCE ONLY

DRAWN: T.Shihua 12/07/13	TITLE: MHV-KYD1	 www.trelytech.com
ENGINEER: C.Too 12/07/13	MHV female B/H Conn. For Terminal	
APPROVED: W.Qiang 12/07/13		
TOLERANCES UNLESS OTHERWISE SPECIFIED		
X ±0.30		
.X ±0.20		
.XX ±0.10		
ANGLES 3°		
PART NO: TRL-MHV-5130	SIZE: A4	SCALE: 1:1
	SHEET: 1/1	REV: A