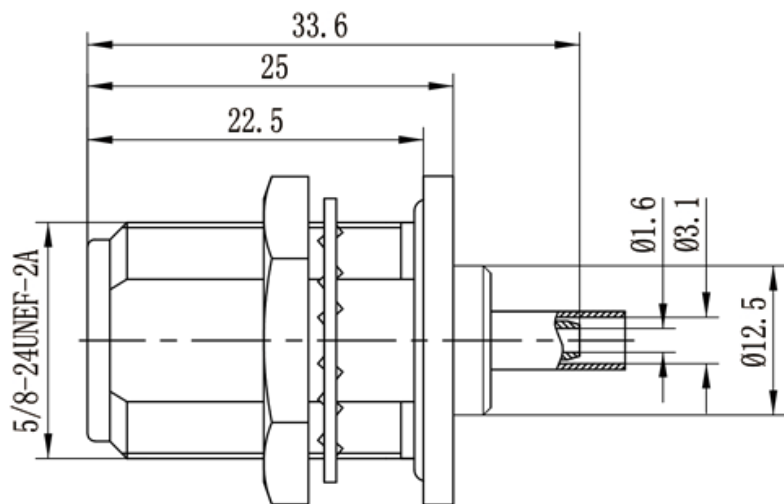
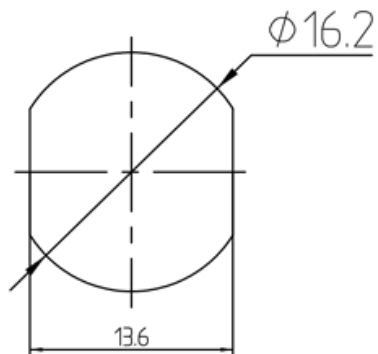


This document contains proprietary information and such information may not be disclosed to others for any purposes, not used for sales/marketing/procurement purposes without written permission

REV	DESCRIPTION OF REVISION	ECN NO.	BY	DATE	APPROVED
A	New Release	—	T.Shihua	26/08/15	26/08/15



Recommended Mounting Hole



1 Electrical

- 1.1 Impedance 50 Ω
- 1.2 Frequency DC-6GHz
- 1.3 VSWR 1.30:1

2 Environmental&Mechanical

- 2.1 Temperature range -45℃~125℃
- 2.2 RoHs Compliant
- 2.3 Durability >500 cycles

3 Materials&Finish

- 3.1 Body: Brass, Nickel plated
- 3.2 Insulator: Teflon
- 3.3 Contact Pin: Bronze, gold plated
- 3.5 Nut: Brass, Nickel plated
- 3.6 Washer: Phosphor bronze, nickel plated

Notes:

- 1. ALL SPECIFICATIONS ARE SUBJECT TO CHANGE NOTICE AT ANY TIME
- 2. CUSTOMER OUTLINE DRAWING FOR REFERENCE ONLY

DRAWN: T.Shihua 26/08/15 ENGINEER: C.Tao 26/08/15 APPROVED: F.Qiang 26/08/15 TOLERANCES UNLESS OTHERWISE SPECIFIED X ±0.50 X ±0.20 XX ±0.10 ANGLES ±1°	TITLE: RF Coaxial Connector N female B/H Conn. For RG316 Cable	 		
PART NO: N-KY3YC	SIZE: A4	SCALE: N/A	SHEET: 1/1	REV: A