

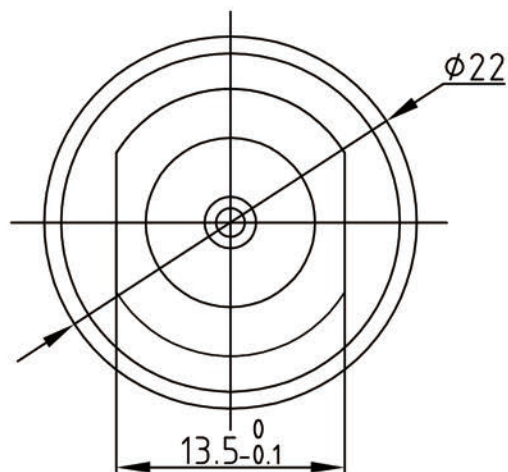
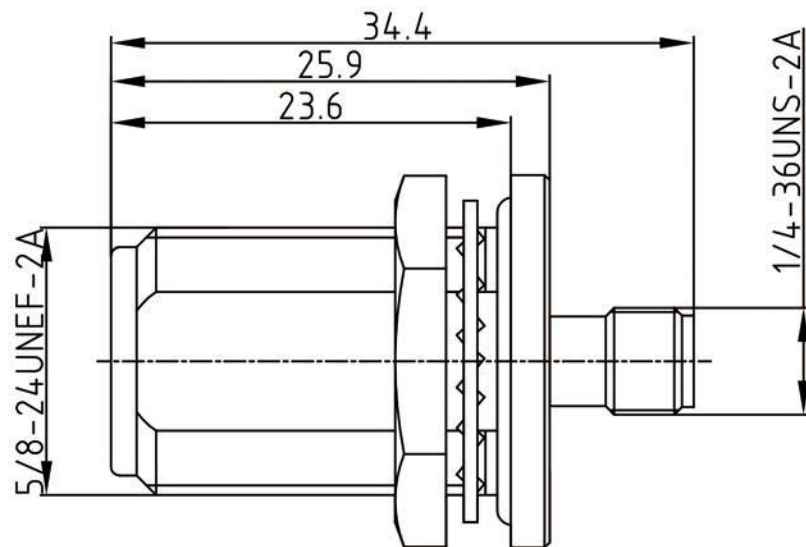
This document contains proprietary information and such information may not be disclosed to others for any purposes, not used for sales/marketing/procurement purposes without written permission

REV	DESCRIPTION OF REVISION	ECN NO.	BY	DATE	APPROVED
A	Initial Release	—	T.Shihua	18/7/13	18/7/13

- 1 Electrical**
- 1.1 Impedance 50Ω
 - 1.2 Frequency 0~11GHz
 - 1.3 Dielectric withstanding voltage 1000V(volts RMS)
 - 1.4 Center contact resistance ≤ 3MΩ
 - 1.5 Outer contact resistance ≤ 2MΩ
 - 1.6 Insulation resistance: ≥5000MΩ



- 2 Environmental&Mechanical**
- 2.1 Temperature range -45℃~85℃
 - 2.2 RoHs Compliant
 - 2.3 Durability >500 cycles

- 3 Materials&plating**
- 3.1 Body: Brass, nickel plated
 - 3.2 Insulator: Teflon
 - 3.3 Contact Pin: Bronze, Gold plated
 - 3.4 Nut: Brass, nickel plated
 - 3.5 Gasket: Silicon Rubber



Notes:

- 1.ALL SPECIFICATIONS ARE SUBJECT TO CHANGE NOTICE AT ANY TIME
- 2.CUSTOMER OUTLINE DRAWING FOR REFERENCE ONLY

DRAWN: T.Shihua 18/07/13	TITLE: N/SMA-KYKA	 www.rf-connector-china.com
ENGINEER: C.Tao 18/07/13	N female to SMA female B/H adaptor	
APPROVED: W.Qiang 18/07/13		 DIMENSION IN MILLIMETERS (mm)
TOLERANCES UNLESS OTHERWISE SPECIFIED X ±0.50 .X ±0.20 .XX ±0.10 ANGLES ±1°	PART NO: TRL-ZJQ-021038	SIZE: A4 SCALE: N/A SHEET: 1/1 REV: A