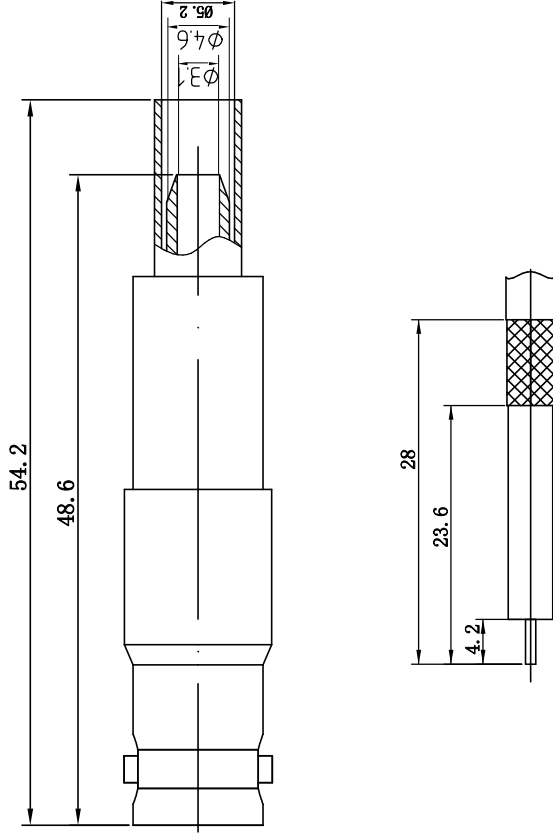


This document contains proprietary information and such information may not be disclosed to others for any purposes, not used for sales/marketing/procurement purposes without written permission



- 1 Electrical
 - 1.1 Impedance: 50 Ω
 - 1.2 Frequency: 0-0.3GHz
- 2 Mechanical
 - 2.1 Center contact: solder
 - 2.2 Outer contact: crimped
 - 2.3 Suitable cable: RG58U
- 3 Environmental
 - 3.1 Operating temperature -65° to 165°
 - 3.2 RoHs compliant
- 4 Material&Finish
 - 4.1 Inner Contact: brass, gold plating
 - 4.2 Outer Contact: Brass,nickel plating
 - 4.3 Insulators: PTFE



Notes:

- 1. ALL SPECIFICATIONS ARE SUBJECT TO CHANGE NOTICE AT ANY TIME
- 2. CUSTOMER OUTLINE DRAWING FOR REFERENCE ONLY

REV	DESCRIPTION OF REVISION	ECN NO.	BY	DATE	APPROVED
A	Initial Release		T. Shihua	12/7/13	12/7/13

DRAWN: T. Shihua 12/07/13 ENGINEER: C. Tao 12/07/13 APPROVED: W. Qiang 12/07/13 TOLERANCES UNLESS OTHERWISE SPECIFIED X ±0.50 .X ±0.20 .XX ±0.10 ANGLES ±°	TITLE: RF Coaxial Connector SHV male straight connector suitable for RG58 cable	 www.frellytech.com
PART NO: SHV-J5Y	SCALE: 1:1 SHEET: 1/1 REV: A	 DIMENSION IN MILLIMETERS (mm)