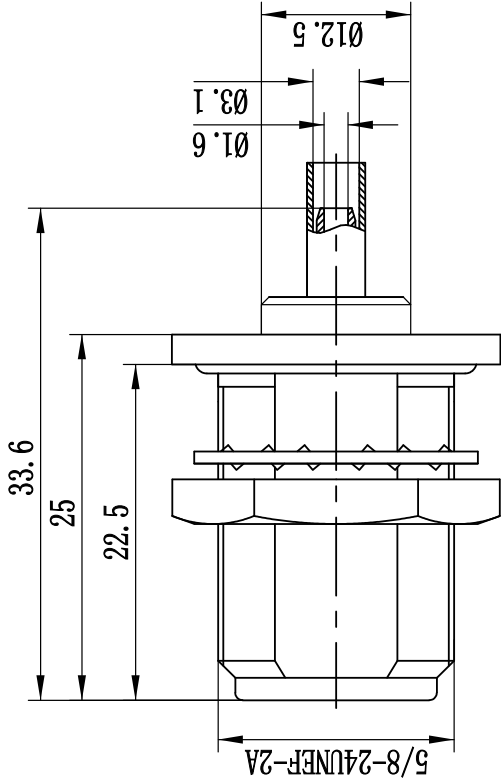
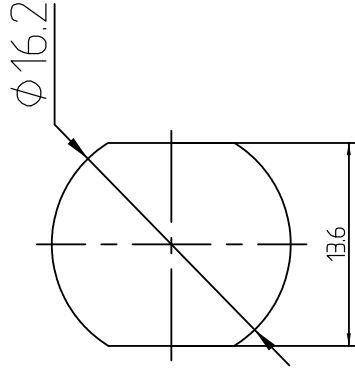


This document contains proprietary information and such information may not be disclosed to others for any purposes, not used for sales/marketing/procurement purposes without written permission

REV	DESCRIPTION OF REVISION	BY	DATE	APPROVED
A	New Release	T. Shihua	26/08/15	26/08/15



Recommended Mounting Hole



- 1 Electrical
 - 1.1 Impedence 50 Ω
 - 1.2 Frequency DC-6GHz
 - 1.3 VSWR 1.30:1
- 2 Environmental&Mechanical
 - 2.1 Temperature range -45 $^{\circ}$ C~125 $^{\circ}$ C
 - 2.2 RoHs Compliant
 - 2.3 Durability >500 cycles

3 Materials&Finish

- 3.1 Body: Brass, Nickel plated
- 3.2 Insulator: Teflon
- 3.3 Contact Pin: Bronze, gold plated
- 3.5 Nut: Brass, Nickel plated
- 3.6 Washer: Phosphor bronze, nickel plated

Notes:

1. ALL SPECIFICATIONS ARE SUBJECT TO CHANGE NOTICE AT ANY TIME
2. CUSTOMER OUTLINE DRAWING FOR REFERENCE ONLY

DRAWN: T. Shihua 26/08/15

ENGINEER: C. Tao 26/08/15

APPROVED: T. Qiang 26/08/15

TOLEANCES UNLESS OTHERWISE SPECIFIED
 X ±0.50
 .X ±0.20
 .XX ±0.10
 ANGLES °P

TITLE:

RF Coaxial Connector

N Female B/H Conn. For RG316 Cable

PART NO: N-KY3YC



www.cerdel.com



DIMENSION IN MILLIMETERS (mm)

SIZE: A4

SCALE: N/A

SHEET: 1/1

REV: A