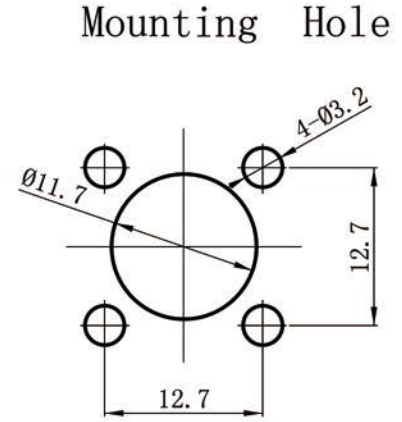
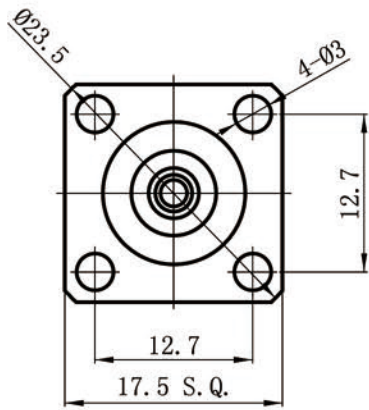
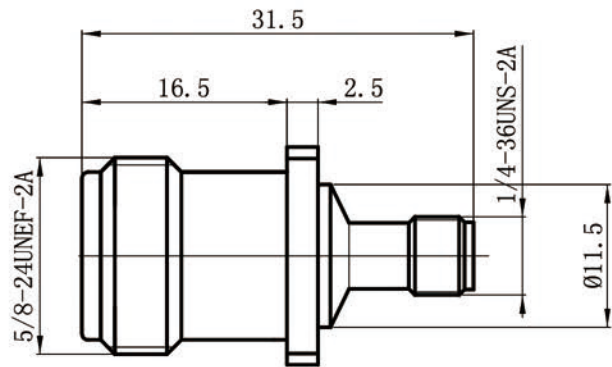


REVISION		
REV	DESCRIPTION	DATE
△		
△		




- 1 Electrical**
- 1.1 Impedance 50 Ω
 - 1.2 Frequency 0~6GHz
 - 1.3 Dielectric withstanding voltage 1000V(volts RMS)
 - 1.4 Center contact resistance ≤ 3MΩ
 - 1.5 Outer contact resistance ≤ 2MΩ
 - 1.6 Insulation resistance: ≥5000MΩ

- 2 Environmental&Mechanical**
- 2.1 Temperature range -45℃~125℃
 - 2.2 RoHS Compliant
 - 2.3 Durability >500 cycles

- 3 Materials&plating**
- 3.1 Body: Brass, nickel plated
 - 3.2 Insulator: Teflon
 - 3.3 Contact Pin: Phosphor Bronze, Gold plated

RoHS
Compliance

NO.	DESCRIPTION	Q' TY	MATERIAL	PLATING	REMARKS
3	INSULATOR	1	TEFLON		
2	CONTACT	1	Phosphor	Gold Plate	
1	BODY	1	BRASS	Gold Plate	

CUSTOMER	DATE 23-Apr-18		 www.rf-connector-china.com		
	APPROVED BY	Xin Li			
	CUSTOMER CODE	CHECKED BY	Super-Way	TITLE N/SMA-KFK1B	
	DRAWN BY	Fei Wang	DWG		
	SCALE	UNIT	WEIGHT	NO.	
	5/1	mm	—	A4	
				SHEET	