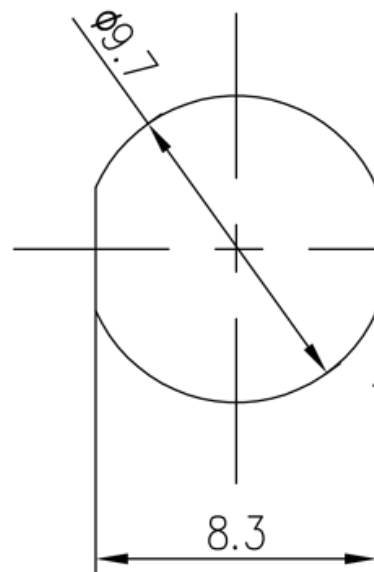
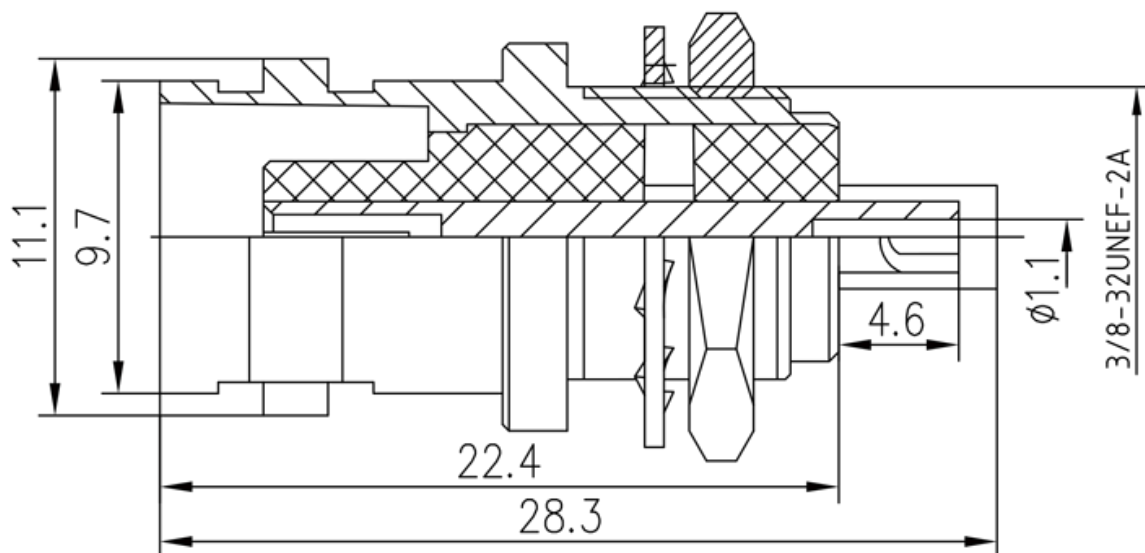


TRL110920F



Notes:

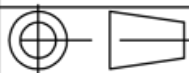
Electrical characteristics

- 1. Impedance: 50Ω
- 2. Working voltage: ≤500V
- 3. Insulation resistance: ≥5000MΩ
- 4. Dielectric withstanding voltage: 1500V
- 5. Contact resistance

Center contact ≤ 1.5MΩ
Outer contact ≤ 1MΩ

Material&Finish

Inner Contact: gold plated over Phosphor bronze
Outer Contact: nickel plated over brass.
Insulators: Teflon



Scale

1:1

Name

Date

Designed

Tomson

24-Oct-10

Checked

Jason

24-Oct-10

Approved

Teresa

24-Oct-10

BNC-KYD2

BNC Female B/H Conn. for Terminal

UNLESS OTHERWISE SPECIFIED
DIMENSIONS ARE mm, TOLERANCES ARE:
FRACTIONS DECIMALS ANGLES
.X± .15 ±1°
.XX± .05
.XXX±



www.rf-connector-china.com