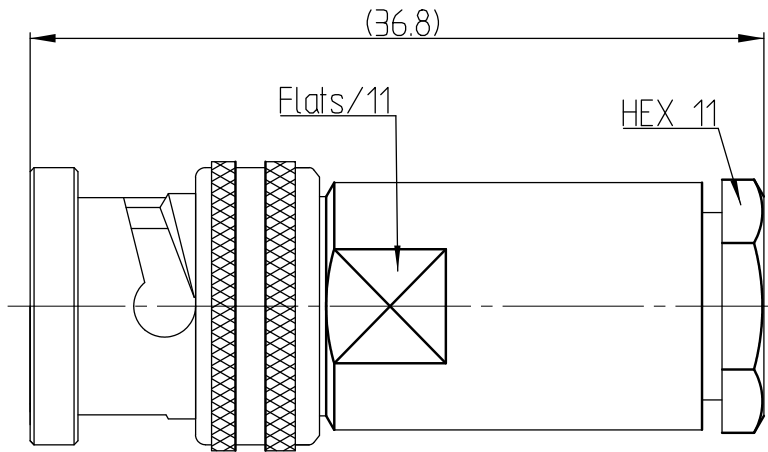
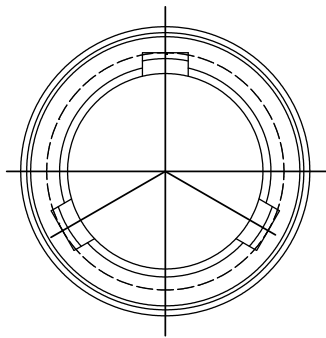


This document contains proprietary information and such information may not be disclosed to others for any purposes,
not used for sales/marketing/procurement purposes without written permission

| REV | DESCRIPTION OF REVISION | ECN NO. | BY | DATE | APPROVED |
|-----|-------------------------|---------|----------|----------|----------|
| A | Initial Release | — | T.Halyun | 26/07/17 | 26/07/17 |





3 Materials&plating

- 3.1 Body: Brass; Suco-plated
- 3.2 Insulator: Teflon
- 3.3 Contact Pin: Bronze Gold plated
- 3.4 Outer contact : Brass Gold plated

Notes:

- 1.ALL SPECIFICATIONS ARE SUBJECT TO CHANGE NOTICE AT ANY TIME
- 2.CUSTOMER OUTLINE DRAWING FOR REFERENCE ONLY

| | | | | | | |
|--|--|---|---|-------------------|-------------------|---------------|
| DRAWN : T.Halyun 26/07/17 | TITLE : RF Coaxial Connector |  www.trl-rf.com | | | | |
| ENGINEER : C.Tao 26/07/17 | | | | | | |
| APPROVED : W.Qiang 26/07/17 | | TRB Male Connector for Triax TRC-50-2 Cable |  DIMENSION IN MILLIMETERS (mm) | | | |
| TOLERANCES UNLESS OTHERWISE SPECIFIED X ±0.50 .X ±0.20 .XX ±0.10 ANGLES ±1° | | PART NO : TRB-J4A | SIZE: A4 | SCALE: N/A | SHEET: 1/1 | REV: A |